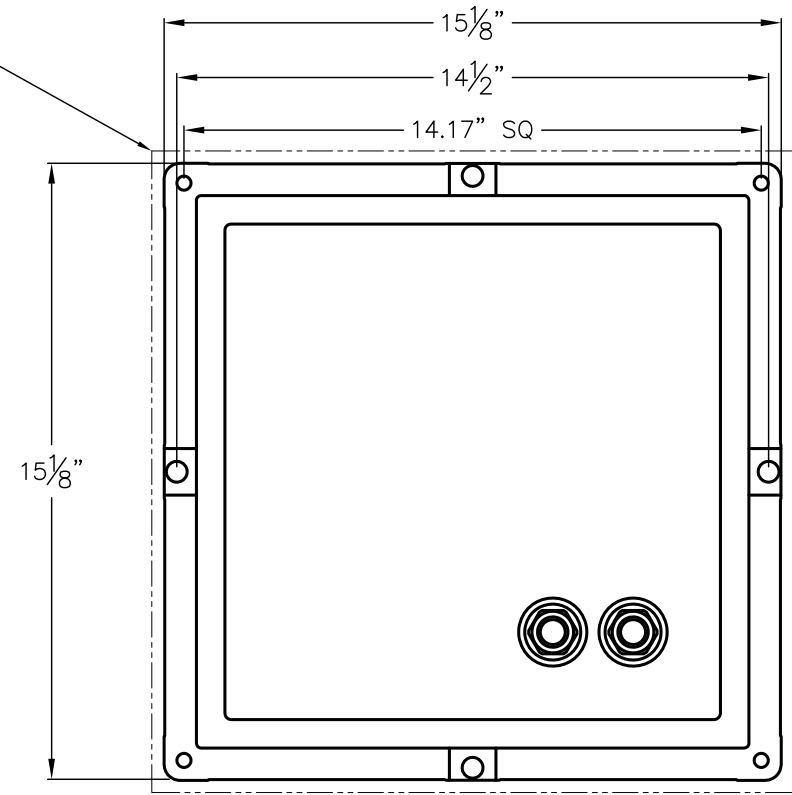
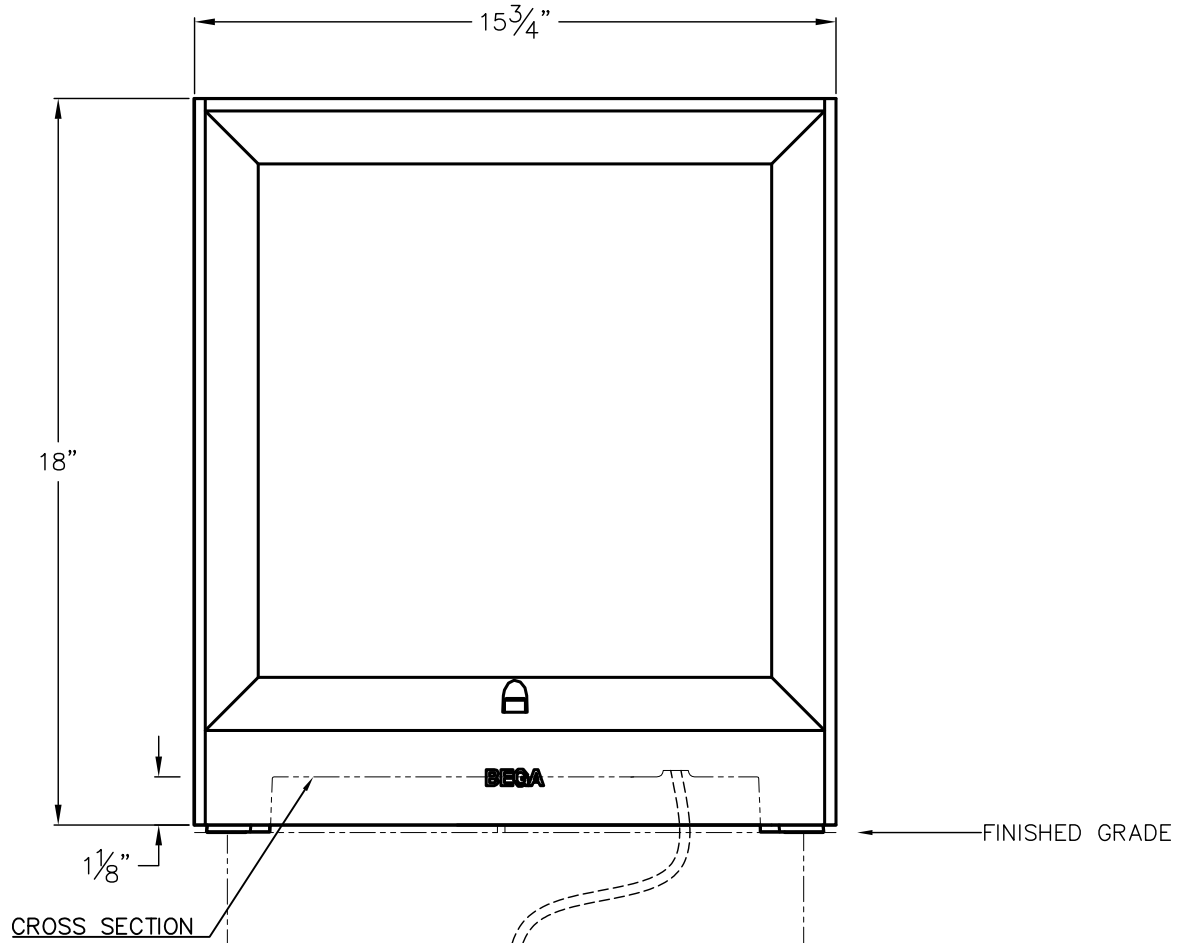


NOTES:  
 1. LUMINAIRE # 77 764 - SEE SPECIFICATIONS

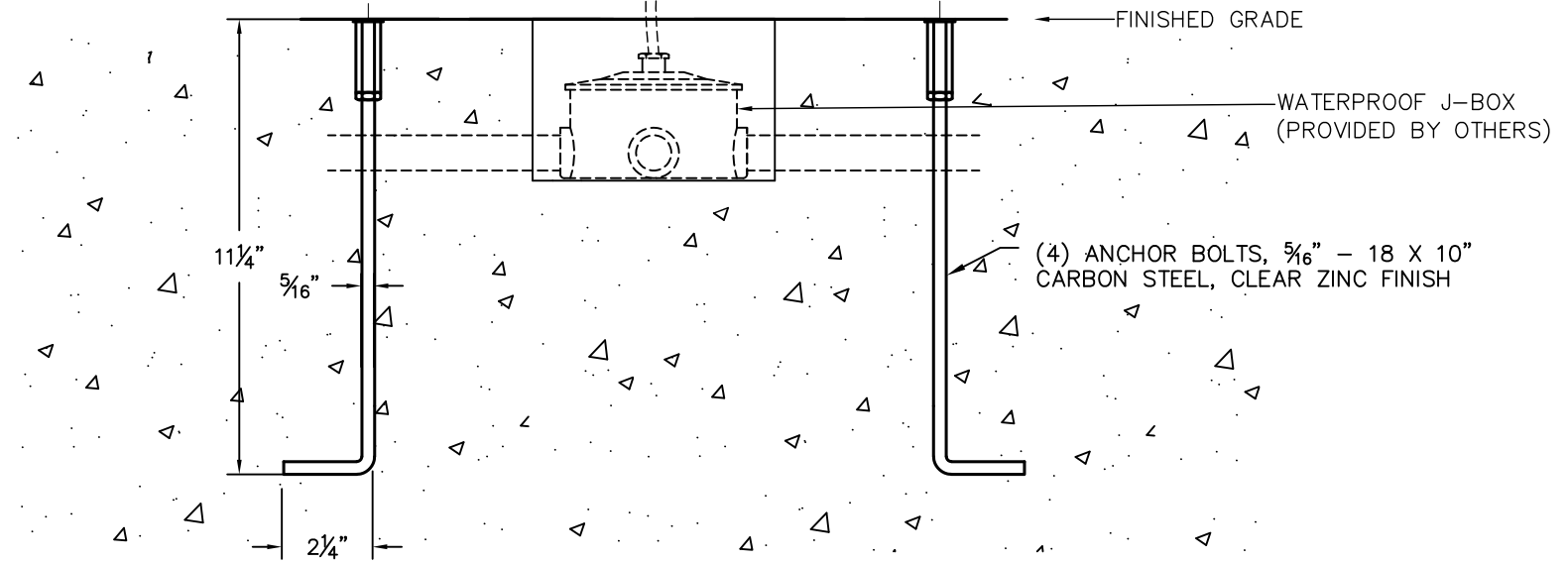
ANCHOR TEMPLATE



BASE DETAIL



CROSS SECTION



MOUNTING DETAIL

**TYPE:** \_\_\_\_\_

**SUBMITTAL APPROVAL**

APPROVED BY: \_\_\_\_\_ DATE: \_\_\_\_\_  
 SIGNED: \_\_\_\_\_

| REV. | DATE | DESCRIPTION |
|------|------|-------------|
|      |      |             |

CAT NO.: 77 764

PROJECT: -

LOCATION: -

DRAWN: MP

DATE: 11/21/2019

File Name: 77764.dxf

**BEGA**

1000 Bega Way  
 Carpinteria, Ca. 93013  
 (805) 684-0533

This print contains confidential information which is the property of BEGA U.S. By acceptance this information, the borrower agrees that it will not be used for any other purpose other than that which is loaned.