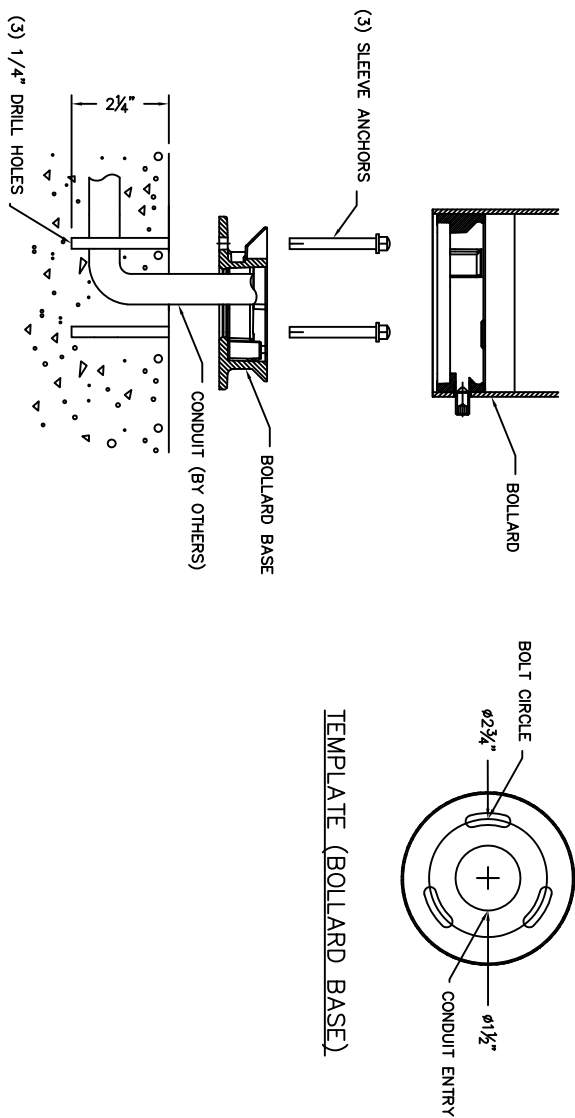
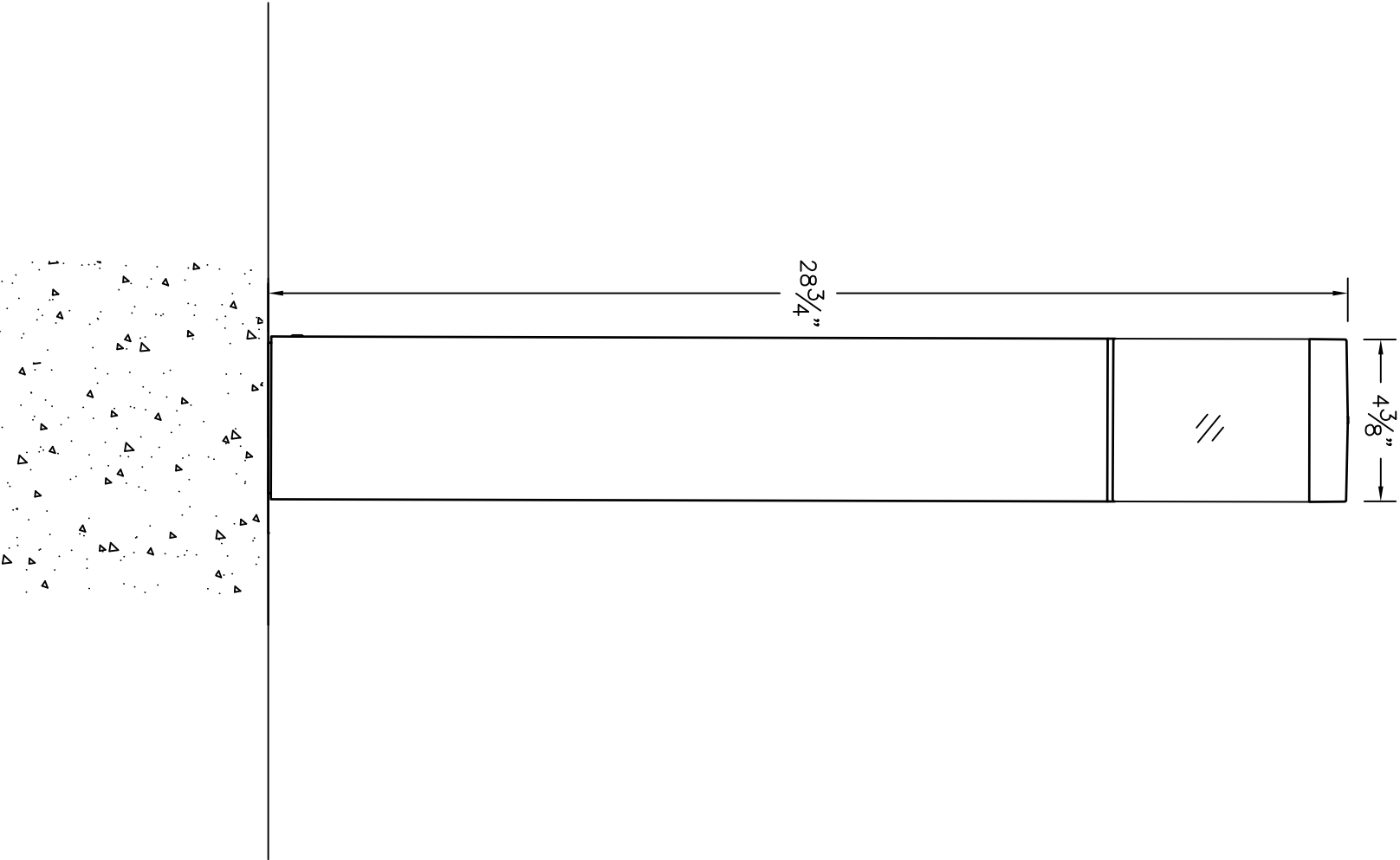


NOTE: LUMINAIRE 77 742 - SEE SPECIFICATIONS;



BASE DETAIL

TYPE: _____

SUBMITTAL APPROVAL			CAT NO.: <u>77 742</u>		BEGA 1000 Bega Way Carpinteria, Ca. 93013 (805) 684-0533
			APPROVED BY: _____		
SIGNED: _____		DATE: _____	LOCATION: <u>-</u>		
REV.	DATE	DESCRIPTION	DRAWN: <u>RA</u> DATE: <u>2/23/2018</u> FILE NAME: <u>77742.dxf</u>		

This print contains confidential information which is the property of BEGA U.S. By acceptance this information, the borrower agrees that it will not be used for any other purpose other than that which is was loaned.