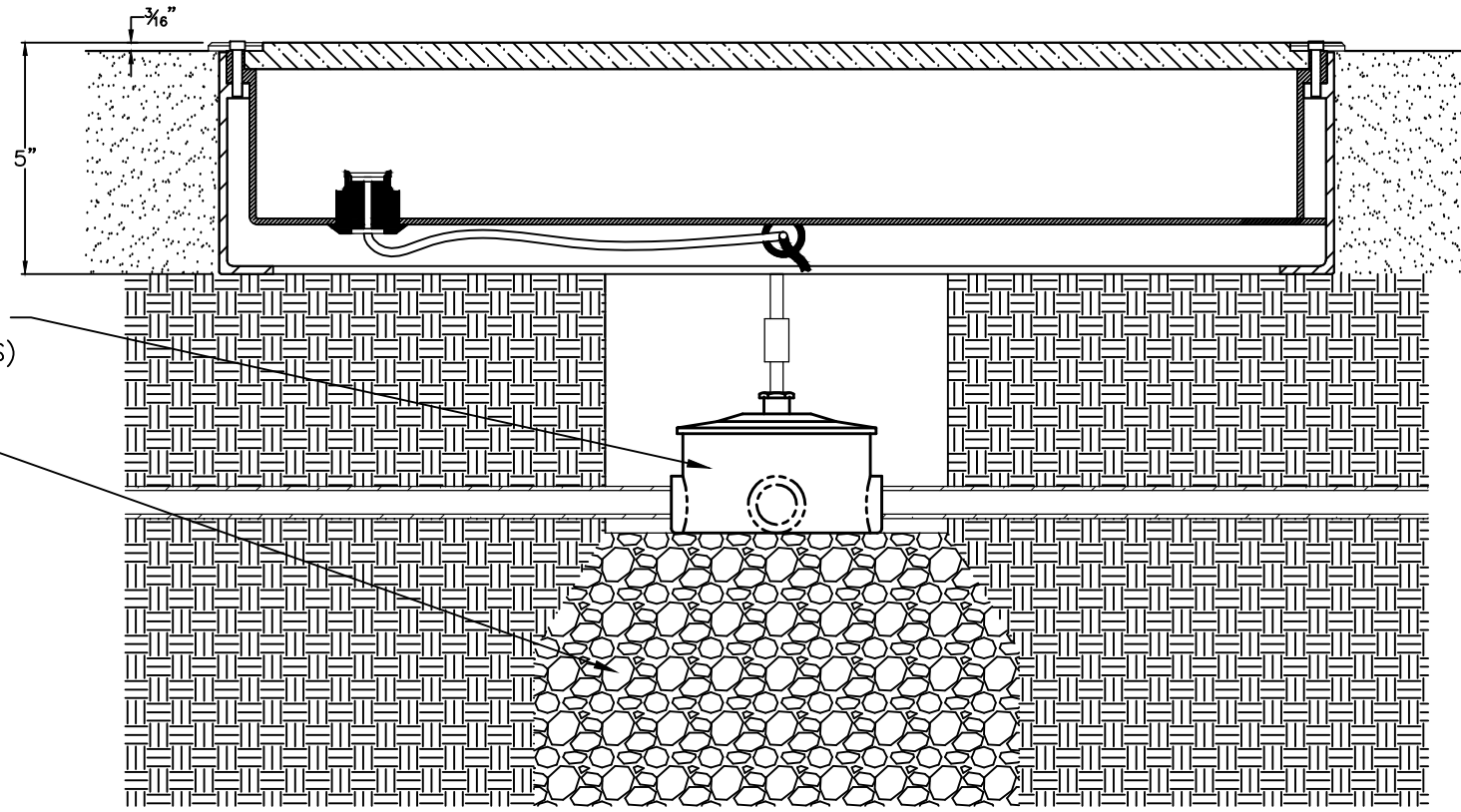


**NOTES:**

1. LUMINAIRE # 77 643 – SEE SPECIFICATIONS

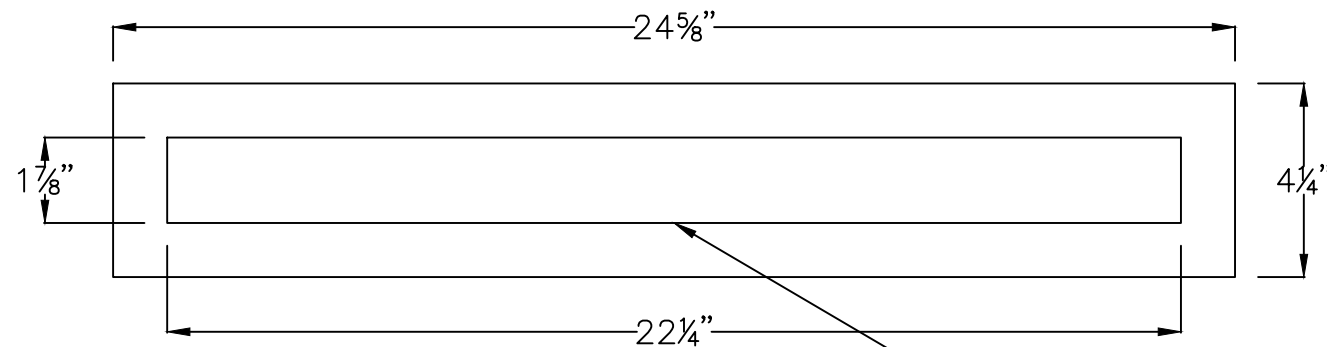


WATERPROOF J-BOX  
(PROVIDED BY OTHERS)

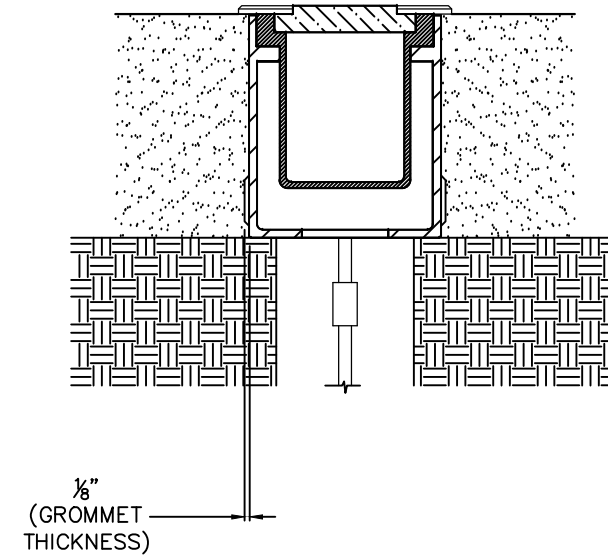
PROVIDE A  
MINIMUM 6" OF  
PEA GRAVEL TO  
MAINTAIN PROPER  
DRAINAGE

NOTE: MORE  
GRAVEL MAY BE  
NEEDED IN AREAS  
THAT HAVE POOR  
SOIL DRAINAGE  
AND/OR ARE  
SUBJECT TO  
FREEZE

**BACK BOX DETAIL**



OPENING IN BOTTOM  
OF BACK BOX



**TYPE:**

**SUBMITTAL APPROVAL**

APPROVED BY: \_\_\_\_\_

DATE: \_\_\_\_\_

SIGNED: \_\_\_\_\_

REV.	DATE	DESCRIPTION

CAT NO.: 77 643

PROJECT: -

LOCATION: -

DRAWN: AV DATE: 8/7/15 File Name: 77643.dxf

**BEGA**

1000 Bega Way  
Carpinteria, Ca. 93013  
(805) 684-0533

This print contains confidential information which is the property of BEGA U.S. By acceptance this information, the borrower agrees that it will not be used for any other purpose other than that which it was loaned.