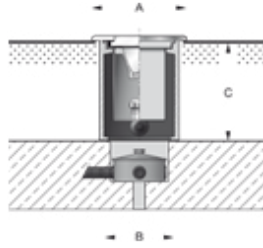


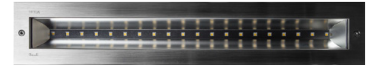
**Tools Required:**

- 5mm hex key
- Phillips medium screwdriver



**Dimensions**

- A:** 4-5/8 x 48-5/8 "
- B:** 4-1/4 x 48-1/4 "
- C:** 5 "



**Protection Class:** IP67

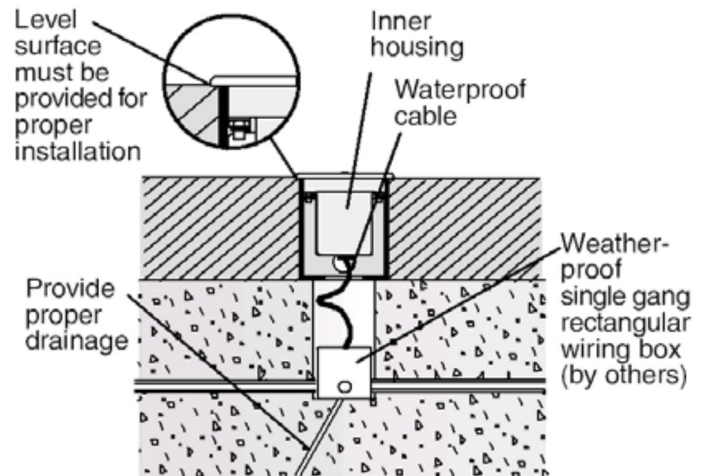
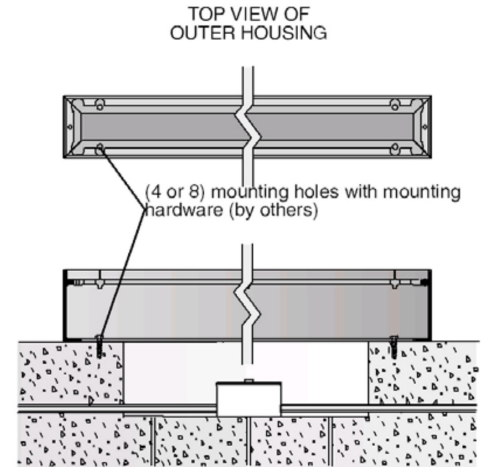
**Weight:** 35.3 lbs.

**Notice to Installer for 77 636:**

1. **BEGA luminaires may be damaged if connected to conduit systems containing water - Article 300-5G of National Electric Code requires that "Conduits or raceways through which moisture may contact energized live parts shall be sealed or plugged at either or both ends".**
2. A separate wiring box suitable for outdoor locations (Bell #5320-0 or equivalent) for power supply must be provided (by others).
3. Proper drainage **MUST** be provided for wiring box and fixture housing.
4. For proper installation, housing and finished surface must be installed so that the top of the housing (bottom of faceplate) sits flush or slightly above the finished surface.
5. Must be anchored to a grade medium (1-1/2" minimum depth) which is suitable for vehicular and pedestrian loads.
6. Integral LED driver supplied along with LED module.
7. **WARNING:** LEDs are high quality electrical components. Please avoid touching them directly during installation.

**77 636 - installation:**

1. Loosen the (2) 5mm hex screws on faceplate in order to remove inner housing from outer housing. Remove inner housing. Do NOT open inner housing.
2. Establish location of wiring box. (These luminaires are pre-wired with (9) feet of waterproof cable, factory sealed to the luminaire housing.) Make sure that enough cable is left to lift the inner housing out of the outer housing for luminaire maintenance. Provide proper drainage.
3. Establish foundation for anchorage. Use (4) mounting holes in the bottom of outer housing to anchor it to a suitable foundation using hardware (by others). The top edge of the outer housing must be flush with the finished surface. Insert the wooden spacer provided by others to provide stability when finishing the surface. Finish surface.
4. Make supply wiring and cable connections inside wiring box:  
 MAIN VOLTAGE SUPPLY WIRE TO BLACK LUMINAIRE WIRE;  
 NEUTRAL (COMMON) SUPPLY WIRE TO WHITE LUMINAIRE WIRE;  
 GREEN (GROUND) WIRE TO GREEN LUMINAIRE WIRE  
 Dimming (if applicable):  
 DIMMING CONTROL WIRE (+) TO POSITIVE DRIVER DIM CONTROL WIRE  
 DIMMING CONTROL WIRE (-) TO NEGATIVE DRIVER DIM CONTROL WIRE
5. Replace inner housing into outer [recessed] housing. Tighten (2) faceplate screws to secure housing.



**Relamping/Maintenance**

No relamping necessary.

**Accessories**

Please refer to the appropriate accessory installation sheet for further instruction when applicable.

**Replacement Parts**

Description	Part No
Lens	140655
Lens Gasket	83001826
LED Driver (120-277V)	75989-03
LED Module (3000K)	(x2) LED-0373/930
LED Module (4000K)	(x2) LED-0373/940

**Lamp:** 31W LED

In the interest of product improvement, BEGA reserves the right to make technical changes without notice.

**Product Safety Warnings:**

**THIS PRODUCT MUST BE INSTALLED IN ACCORDANCE WITH THE APPLICABLE INSTALLATION CODE BY A PERSON FAMILIAR WITH THE CONSTRUCTION AND OPERATION OF THE PRODUCT AND THE HAZARDS INVOLVED. SUITABLE FOR WET LOCATIONS.**

**MIN 90°C SUPPLY CONDUCTORS.**

**CE PRODUIT DOIT ÊTRE INSTALLÉ SELON LE CODE D'INSTALLATION PERTINENT, PAR UNE PERSONNE QUI CONNAÎT BIEN LE PRODUIT ET SON FONCTIONNEMENT AINSI QUE LES RISQUES INHÉRENTS. CONVIENT AUX EMPLACEMENTS MOUILLÉS.**

**LES FILS D'ALIMENTATION 90°C MIN.**