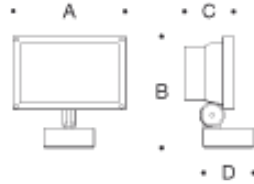


Tools Required:

- 3mm hex key
- 5mm hex key
- Flat head screw driver medium
- Phillips head screw driver medium



Dimensions

- A:** 6-1/2 "
- B:** 7-1/4 "
- C:** 3-1/2 "



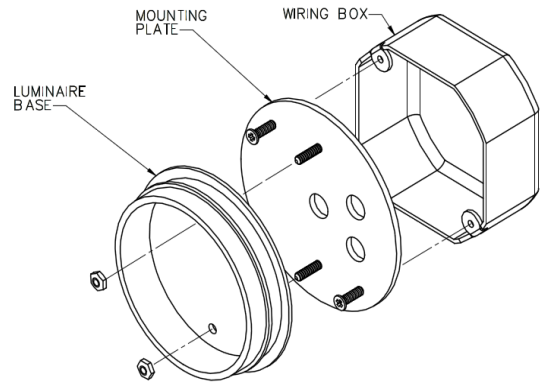
Protection Class: IP65

Notice to Installer for 77 536:

1. This product must be installed in accordance with the applicable installation code by a person familiar with the construction and operation of the product and the hazards involved.
2. Integral LED driver supplied by BEGA.
3. Luminaire mounts directly to standard recessed 4" octagonal wiring (by others), using mounting plate provided.
4. Do NOT remove moisture absorption packet from luminaire housing.
5. **WARNING:** LEDs are high quality electrical components. Please avoid touching them directly during installation.

77 536 - installation:

1. Loosen the (1) 3mm hex screw on the luminaire canopy and remove luminaire base from luminaire.
2. Feed luminaire wiring through the luminaire base and mounting plate.
3. Make supply wiring and luminaire wiring connections inside the wiring box:
 MAIN VOLTAGE SUPPLY WIRE TO BLACK LUMINAIRE WIRE
 NEUTRAL (COMMON) SUPPLY WIRE TO WHITE LUMINAIRE WIRE
 GREEN GROUND WIRE TO GREEN LUMINAIRE WIRE
 Dimming (if applicable):
 DIMMING CONTROL WIRE (+) TO POSITIVE DRIVER DIM CONTROL WIRE
 DIMMING CONTROL WIRE (-) TO NEGATIVE DRIVER DIM CONTROL WIRE
4. Attach provided mounting plate directly to a 4" standard octagonal wiring box using the (2) screws (provided). Place a small bead of silicone around the back side of the mounting plate that will come in contact with the finished surface (exterior applications only).
5. Align and position mounting plate on mounting surface to correspond with specified mounting orientation.
6. Slip luminaire base over the mounting plate. Tighten nuts on the studs (provided) to secure.
7. Replace luminaire canopy (with luminaire attached) and tighten (1) set screw.
8. To adjust head angle, use 5mm hex key to loosen adjustment screw. Adjust luminaire head as needed and tighten adjustment screw.



Relamping/Maintenance

No relamping necessary.

Accessories

Please refer to the appropriate accessory installation sheet for further instruction when applicable.

Shield 70 500

Replacement Parts

| Description | Part No |
|--------------------|--------------|
| Lens | 140966 |
| Gasket | 831372 |
| LED driver | 75940 |
| LED module (3000K) | LED-0313/930 |
| LED module (4000K) | LED-0313/940 |

Lamp: 17.9W LED

In the interest of product improvement, BEGA reserves the right to make technical changes without notice.