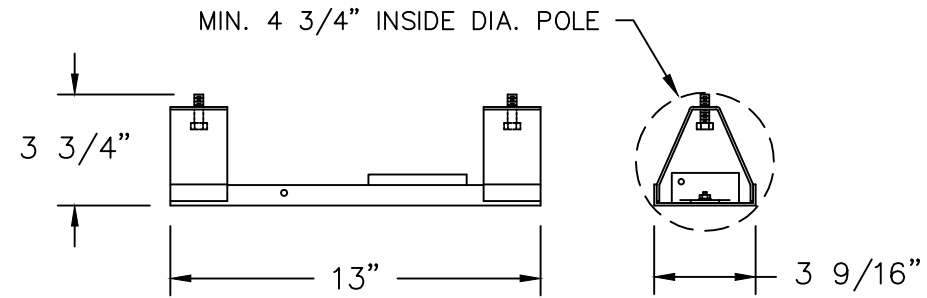
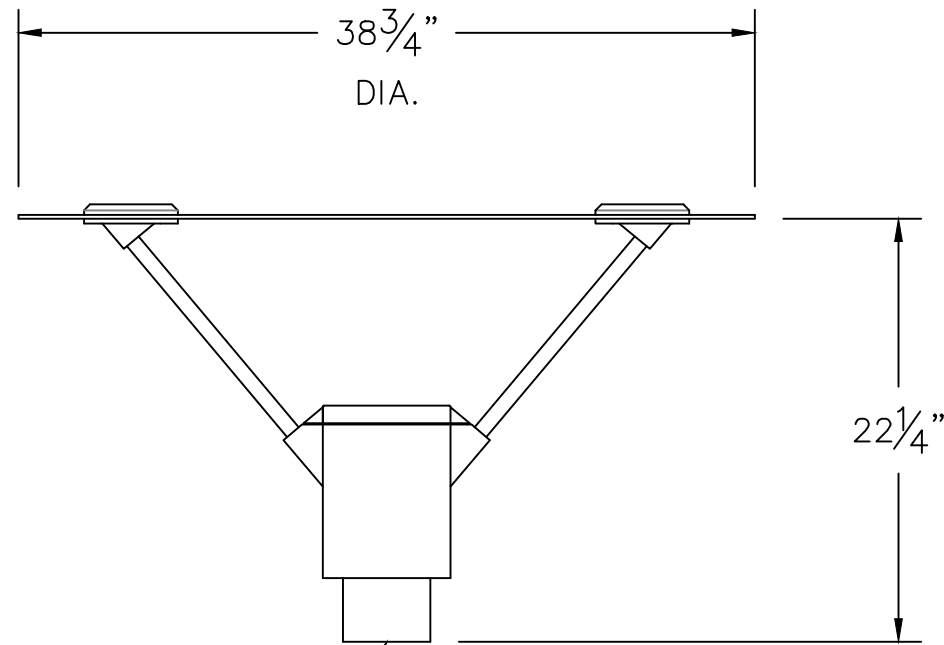
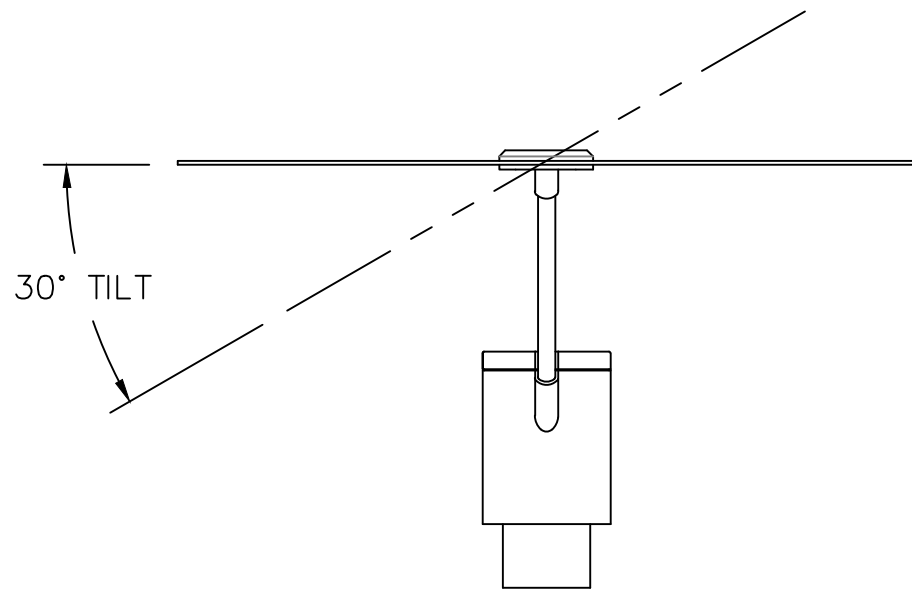


NOTES :

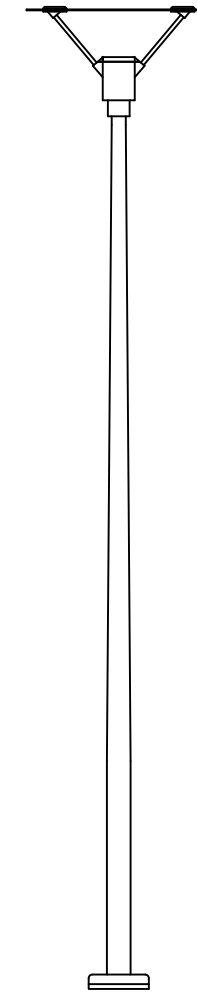
1. LUMINAIRE 77 210 POLE TOP w/INDIRECT CUTOFF – SEE SPECIFICATIONS;
2. PBM ASSEMBLY IS REQUIRED FOR INSTALLATION INTO 5" DIA. MIN. HINGED BASE POLE.



PBM ASSEMBLY DETAIL



SLIP FITS 3" O.D.
POLE OR TENON
(REQUIRES A MINIMUM 3 1/2" LENGTH OF
STRAIGHT DIA. POLE/TENON)



SHOWN ON 1508HR

Catalog No.: 77 210

Description: POLE TOP - INDIRECT CUT OFF OPTICS

Drawn by: Bob Mc Date: 8/5/15 File Name: 77210.dxf

SCALE: NONE – DO NOT SCALE DRAWING

This print contains confidential information which is the property of BEGA/US. By accepting this information, the borrower agrees that it will not be used for any other purpose other than that which is was loaned.

BEGA

1000 Bega Way
Carpinteria, Ca. 93013
(805) 684-0533