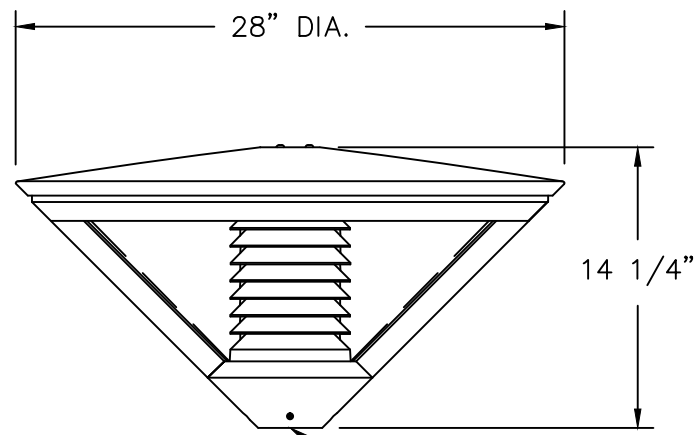
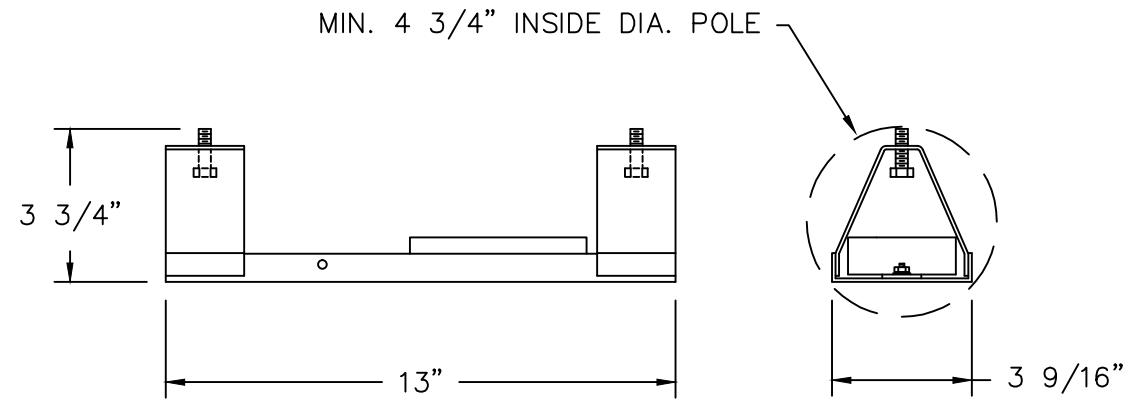


NOTES:

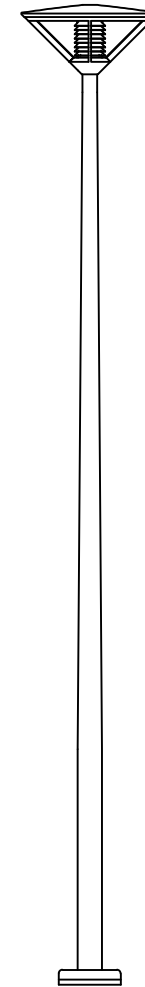
1. LUMINAIRE # 77 181 – SEE SPECIFICATIONS.
2. UNIVERSAL (120–277V) ELECTRONIC LED DRIVER LOCATED IN POLE BASE MOUNTED ASSEMBLY (PBM, SEE DETAIL)
3. PBM ASSEMBLY IS REQUIRED FOR INSTALLATION INTO 5" DIA. MIN. HINGED POLE BASE.
4. 39W LED MODULE (PROVIDED BY BEGA).
5. AVAILABLE IN STANDARD BEGA FINISHES.



SLIP FITS 3" O.D. POLE OR TENON
 (REQUIRES A MINIMUM 2 1/2" LENGTH OF STRAIGHT DIA. POLE/TENON)



PBM ASSEMBLY DETAIL



SHOWN ON 1508HR