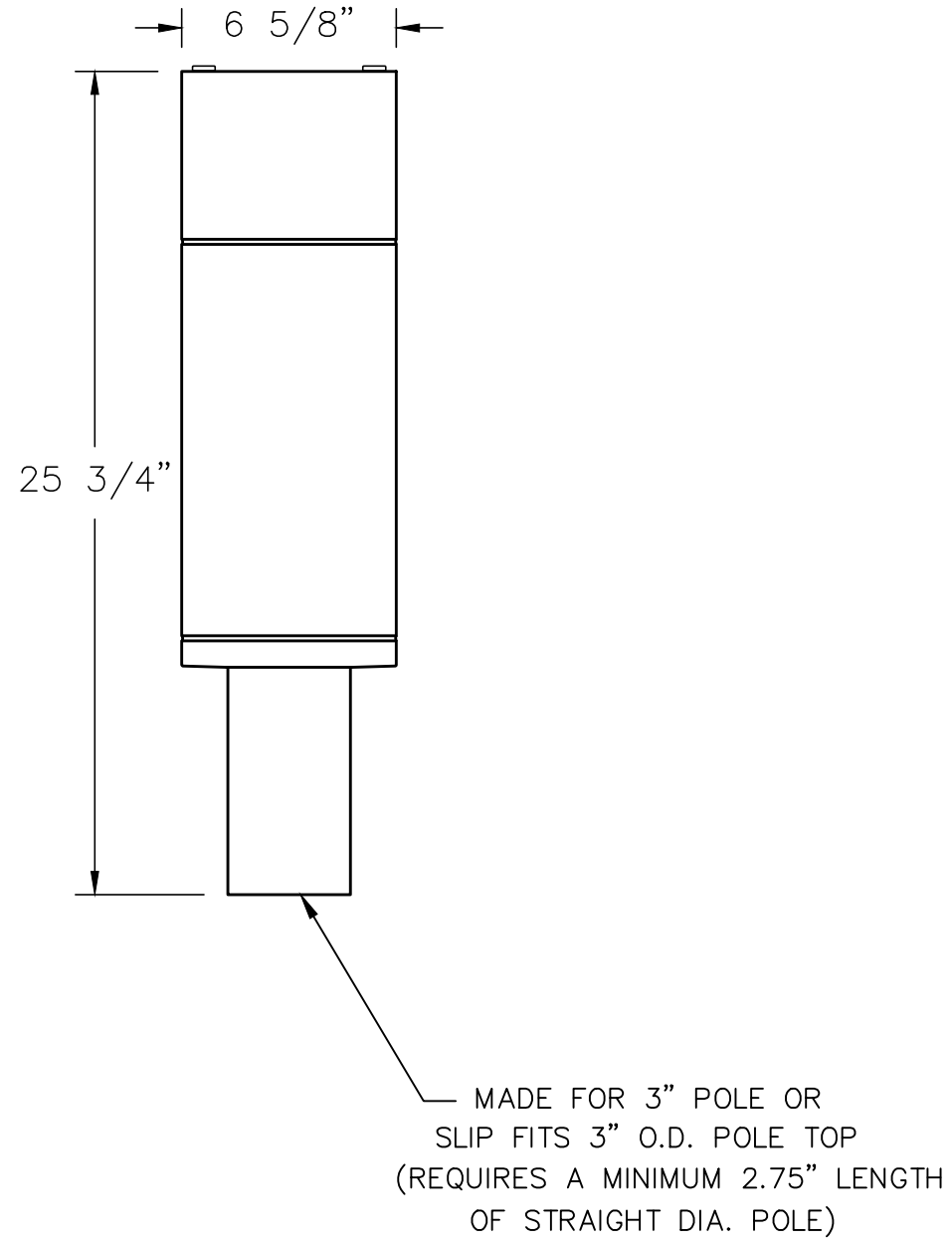
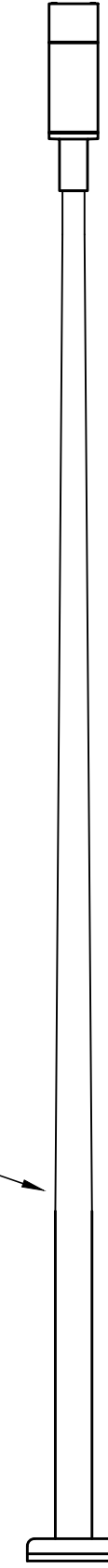


NOTES:

1. LUMINAIRE # 77 175 - SEE SPECIFICATIONS



3" TO 5" OD  
TAPERED ALUM.  
POLE W/HINGED  
BASE, BY BEGA



**SHOWN ON 1508HR**

**TYPE:** \_\_\_\_\_

**SUBMITTAL APPROVAL**

APPROVED BY: \_\_\_\_\_ DATE: \_\_\_\_\_  
SIGNED: \_\_\_\_\_

| REV. | DATE | DESCRIPTION |
|------|------|-------------|
|      |      |             |

CAT NO.: 77 175

PROJECT: -

LOCATION: -

DRAWN: HA DATE: 2/23/2016 File Name: 77 175.DXF

**BEGA**

1000 Bega Way  
Carpinteria, Ca. 93013  
(805) 684-0533

This print contains confidential information which is the property of BEGA U.S. By acceptance this information, the borrower agrees that it will not be used for any other purpose other than that which is was loaned.