

Tools Required:

- 5mm hex key
- Adjustable wrench



Dimensions

- A:** 20-1/2 "
- B:** 4-1/2 "
- C:** 2-1/4 "



Weight: 6.6 lbs.

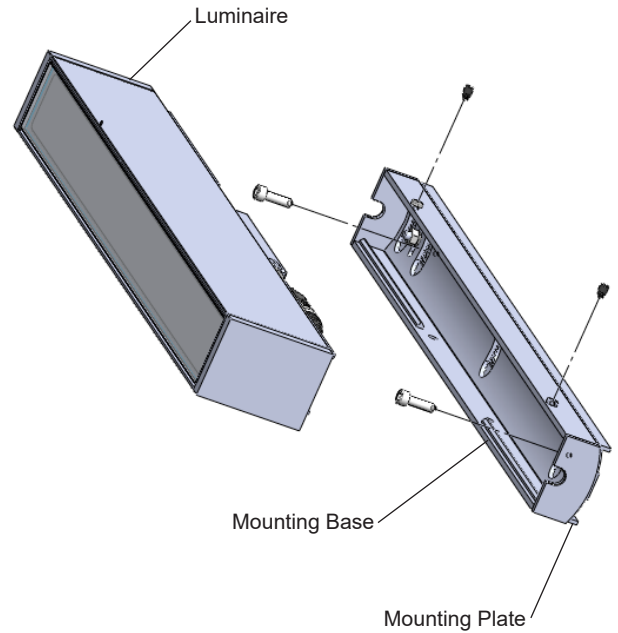
Notice to Installer for 77 156:

1. See page 2 for specific product safety warnings.
2. Integral LED module and driver provided by BEGA within luminaire housing.
3. Leader cable must be secured to a wet location rated junction box with UL Listed or CSA Certified liquid tight cord grip suitable for flexible leader cable provided. Outer diameter of the 5-wire 77 284 leader cable: 0.35" - 0.38".

77 156 - installation:

1. Loosen (2) 5mm captive hex screws and detach mounting base from luminaire.
 2. Attach base to finished mounting surface with (2) screws and washers (by others).
 3. Adjust aiming, if desired, by removing (2) hex nuts and washers to detach mounting base from mounting plate. Move mounting base on ribbed track of mounting plate to desired aiming location. Reattach mounting base to mounting plate with hex nuts.
 4. Remove end cap from 5-pin connector and connect luminaire cables to leader and/or jumper cables. Leave endcap on 5-pin connector if not attached to either a leader or jumper cable.
 5. Direct connected cables through openings on either end of mounting base and replace luminaire. Tighten (2) hex screws to secure.
 6. Make leader cable wiring connections in wet location wiring box (by others):
 MAIN VOLTAGE SUPPLY WIRE TO BLACK LEADER WIRE
 NEUTRAL (COMMON) SUPPLY WIRE TO WHITE LEADER WIRE
 GREEN GROUND WIRE TO GREEN LEADER WIRE
- Dimming (if applicable):
 DIMMING CONTROL WIRE (+) TO POSITIVE LEADER DIM WIRE
 DIMMING CONTROL WIRE (-) TO NEGATIVE LEADER DIM WIRE

Figure 1:



Relamping/Maintenance

No relamping required.

Accessories

Please refer to the appropriate accessory installation sheet for further instruction when applicable.

Replacement Parts

Description	Part No
LED (3000K)	LED-0612/830
LED (4000K)	LED-0612/840
Driver (120-277V)	75969-02

Lamp: 21.0W LED

In the interest of product improvement, BEGA reserves the right to make technical changes without notice.

Product Safety Warnings:

THIS PRODUCT MUST BE INSTALLED IN ACCORDANCE WITH THE APPLICABLE INSTALLATION CODE BY A PERSON FAMILIAR WITH THE CONSTRUCTION AND OPERATION OF THE PRODUCT AND THE HAZARDS INVOLVED. SUITABLE FOR WET LOCATIONS.

MIN 60°C SUPPLY CONDUCTORS.

CE PRODUIT DOIT ÊTRE INSTALLÉ SELON LE CODE D'INSTALLATION PERTINENT, PAR UNE PERSONNE QUI CONNAÎT BIEN LE PRODUIT ET SON FONCTIONNEMENT AINSI QUE LES RISQUES INHÉRENTS. CONVIENT AUX EMPLACEMENTS MOUILLÉS.

LES FILS D'ALIMENTATION 60°C MIN.
