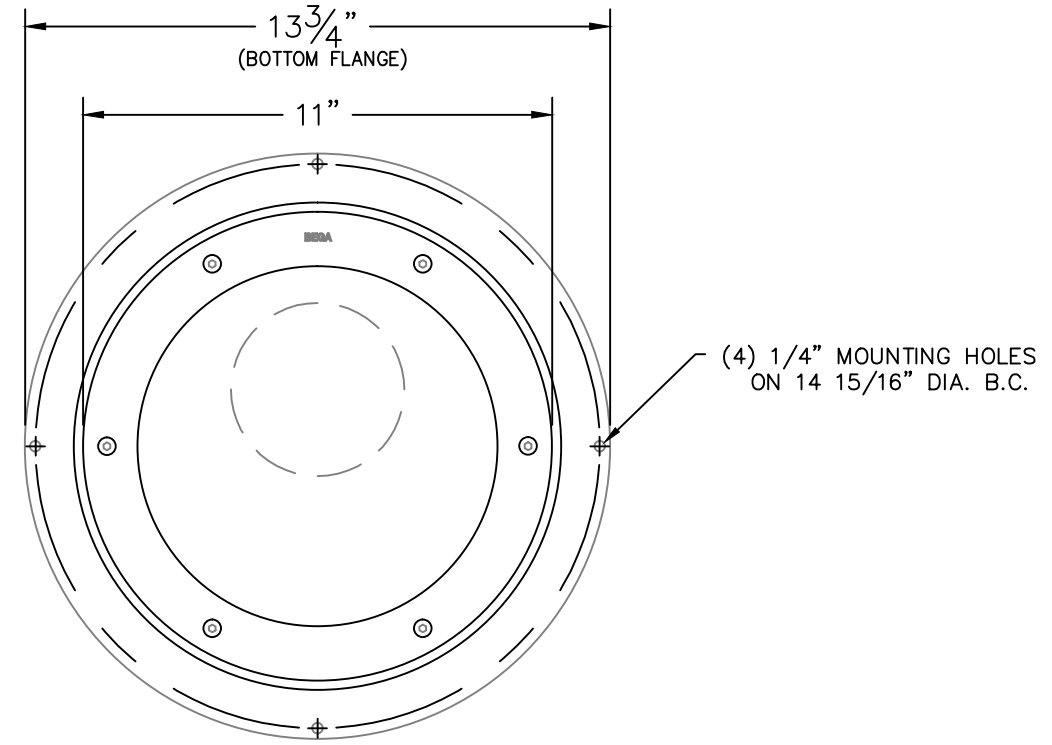


PROVIDE A MINIMUM 6" OF PEA GRAVEL TO MAINTAIN PROPER DRAINAGE

NOTE: MORE GRAVEL MAY BE NEEDED IN AREAS THAT HAVE POOR SOIL DRAINAGE AND/OR ARE SUBJECT TO FREEZE

NOTES:

1. LUMIANIRE # 77 147 – SEE SPECIFICATIONS.



TYPE: _____

SUBMITTAL APPROVAL

APPROVED BY: _____

SIGNED: _____ DATE: _____

REV.	DATE	DESCRIPTION

CAT NO: 77 147

PROJECT: -

LOCATION: -

DRAWN: HA

DATE: 3/23/2016 FILE NAME: 77147.DXF

BEGA

1000 Bega Way
Carpinteria, Ca. 93013
(805) 684-0533

This print contains confidential information which is the property of BEGA U.S. By acceptance this information, the borrower agrees that it will not be used for any other purpose other than that which is loaned.