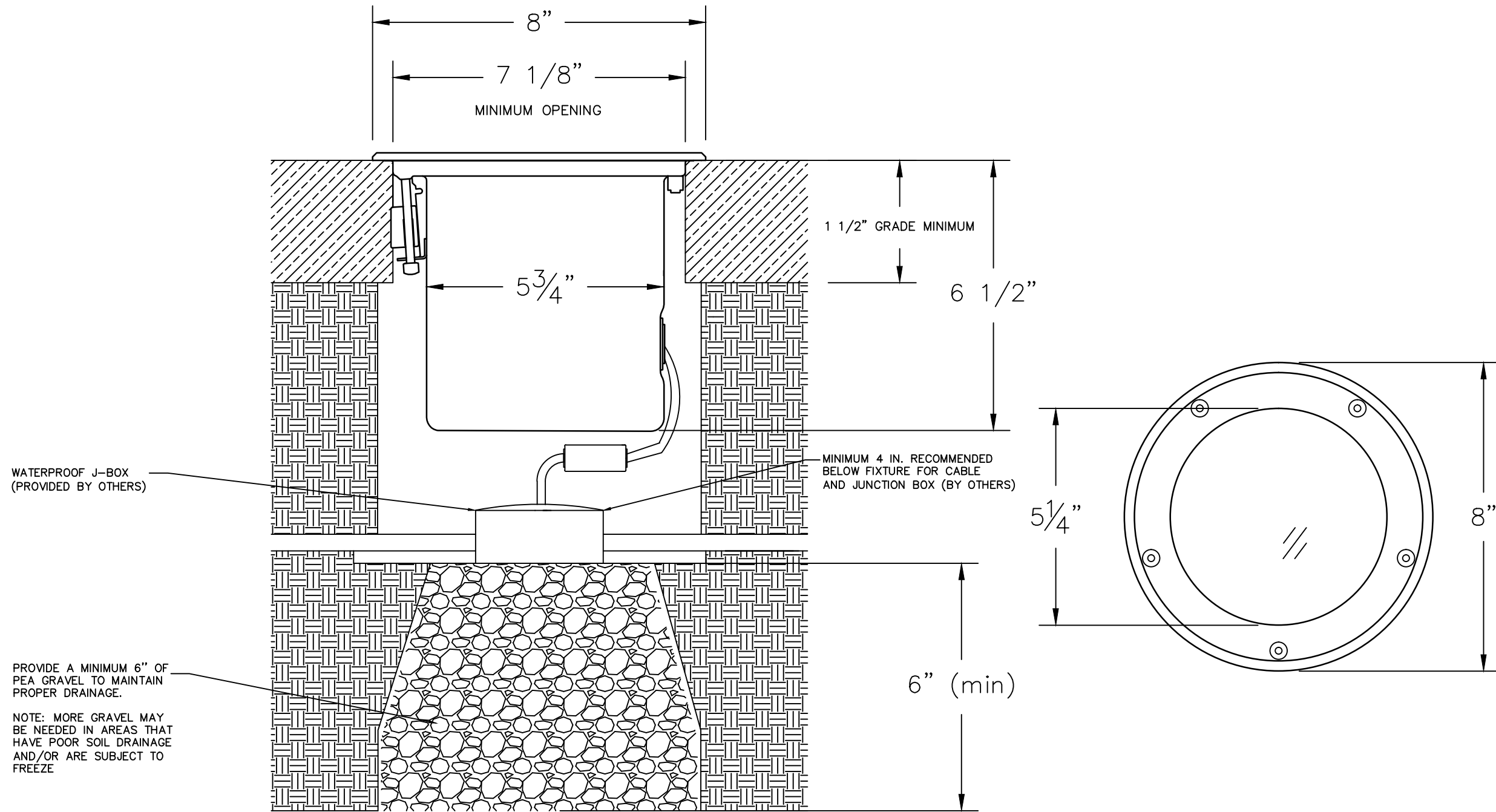


NOTES: LUMINAIRE # 77 125 – SEE SPECIFICATIONS



WATERPROOF J-BOX
(PROVIDED BY OTHERS)

PROVIDE A MINIMUM 6" OF
PEA GRAVEL TO MAINTAIN
PROPER DRAINAGE.

NOTE: MORE GRAVEL MAY
BE NEEDED IN AREAS THAT
HAVE POOR SOIL DRAINAGE
AND/OR ARE SUBJECT TO
FREEZE

MINIMUM 4 IN. RECOMMENDED
BELOW FIXTURE FOR CABLE
AND JUNCTION BOX (BY OTHERS)

TYPE: _____

SUBMITTAL APPROVAL

APPROVED BY: _____ DATE: _____

SIGNED: _____

REV.	DATE	DESCRIPTION

CAT NO.: 77 125

PROJECT: -

LOCATION: -

DRAWN: SB

DATE: 4/12/2018 FILE NAME: 77125.dxf

BEGA

1000 Bega Way
Carpinteria, Ca. 93013
(805) 684-0533