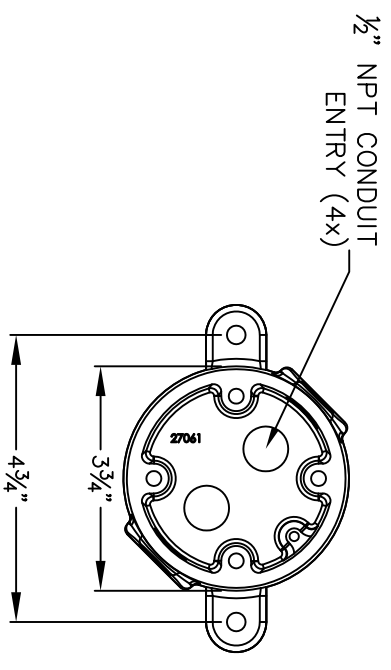
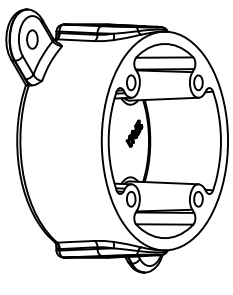


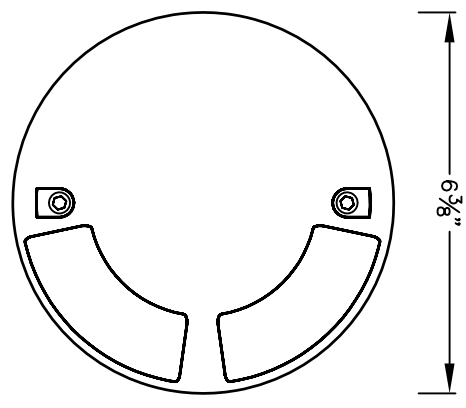
1/2" NPT CONDUIT ENTRY (4x)



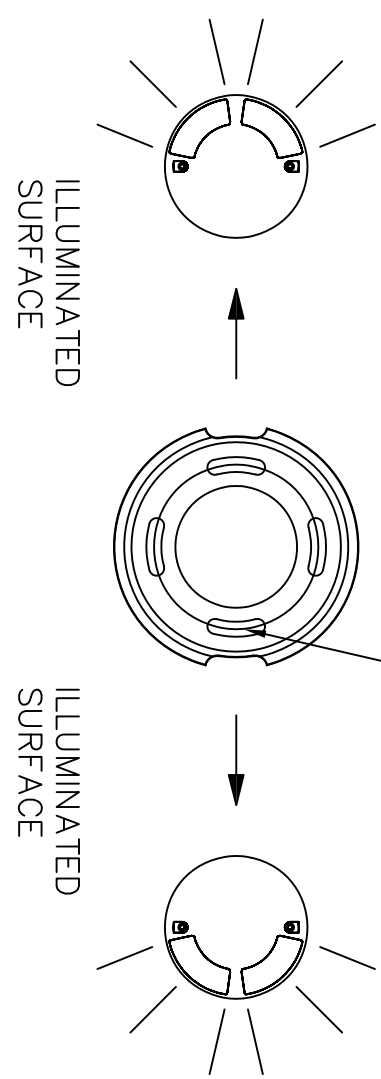
BACK BOX PLAN VIEW



BACK BOX 3D VIEW



2 3/4" BOLT CIRCLE (4) 1/4" MTG HOLES



MTG PLATE & ORIENTATION DETAIL

NOTE: LUMINAIRE # 77 069 -- SEE SPECIFICATIONS

TYPE: _____

SUBMITTAL APPROVAL			CAT NO.: <u>77 069</u>	
			PROJECT: -	
APPROVED BY: _____		LOCATION: -		
SIGNED: _____		DRAWN: <u>RA</u> DATE: <u>10/31/2017</u> FILE NAME: <u>77069.dxf</u>		
REV.	DATE	DESCRIPTION		

BEGA

1000 Bega Way
Carpinteria, Ca. 93013
(805) 684-0533

This print contains confidential information which is the property of BEGA U.S. By acceptance this information, the borrower agrees that it will not be used for any other purpose other than that which is was loaned.