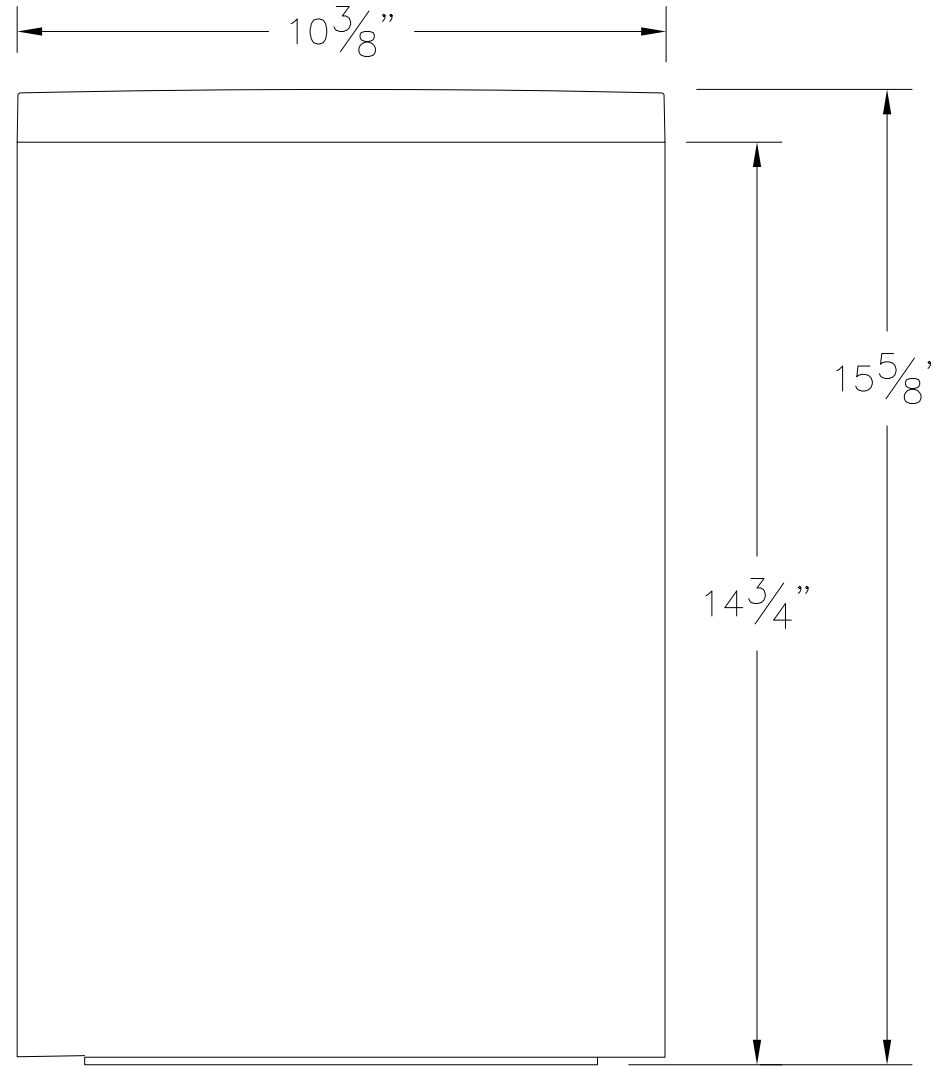
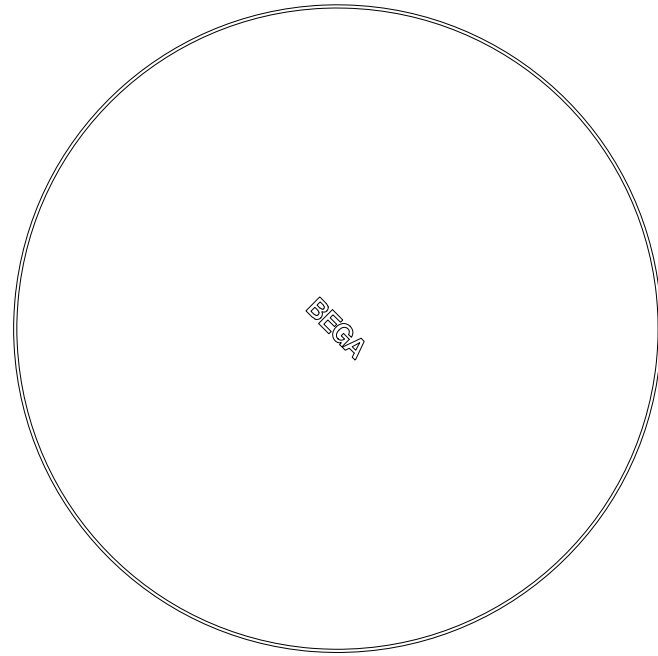
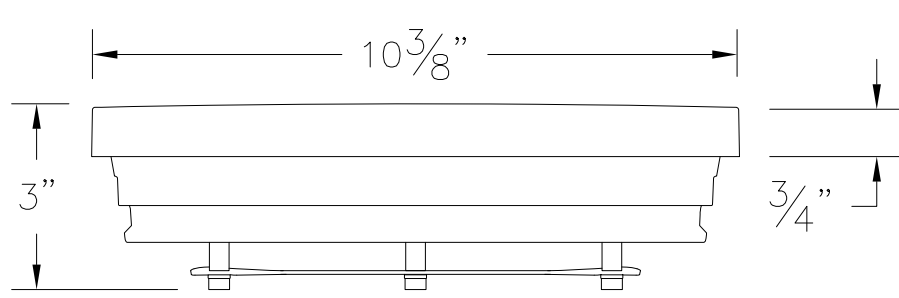
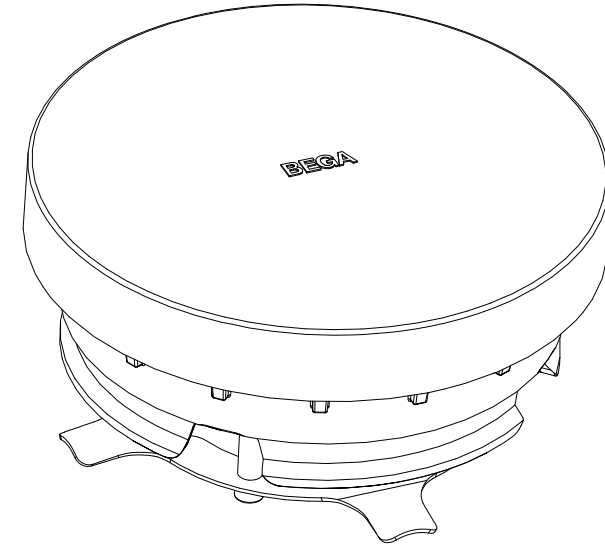


NOTES:

1. SYSTEM BOLLARD UNLIT CAP # 71 128 – SEE SPECIFICATIONS



71 128  
SHOWN ON  
BOLLARD TUBE 99 619



**TYPE:** \_\_\_\_\_

**SUBMITTAL APPROVAL**

APPROVED BY: \_\_\_\_\_ DATE: \_\_\_\_\_  
SIGNED: \_\_\_\_\_

CAT NO.: LUMINARE# 71128

PROJECT: -

LOCATION: -

DRAWN: MP

DATE: 4/1/2019

FILE NAME: 71128.DXF

**BEGA**

1000 Bega Way  
Carpinteria, Ca. 93013  
(805) 684-0533

This print contains confidential information which is the property of BEGA U.S. By acceptance this information, the borrower agrees that it will not be used for any other purpose other than that which is loaned.