

Cross beam for multiple floodlights · Cross beam · 3 floodlights

BEGA

Application

Cross beams can be mounted on walls, support structures, and under ceilings. Yoke mounted floodlights are attached to rotatable clamping plates which can be adjusted in 90° increments. Floodlights can be rotated a full 360° on the clamping plate for precise aiming.

Materials

Extruded aluminum
Die-cast aluminum
Stainless steel hardware

Weight: 39.9lbs.

Finish

All BEGA standard finishes are matte, textured powder coat with minimum 3 mil thickness. BEGA Unidure® finish, a fluoropolymer technology, provides superior fade protection in Black, Bronze, and Silver. BEGA standard White is a super durable polyester powder. Optionally available RAL and custom color finishes provided in either polyester powder or liquid paint.

Available colors

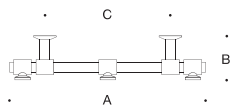
Black (BLK)	Bronze (BRZ)
Silver (SLV)	White (WHT)
RAL:	CUS:

Type:

BEGA Product:

Project:

Modified:

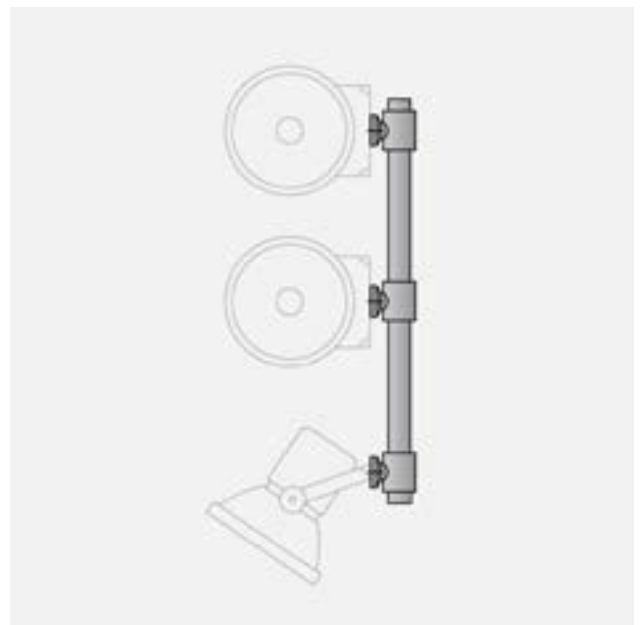


Cross beam for multiple floodlights · Cross beam · 3 floodlights

	A	B	C
B70761	59 1/2	11 5/8	37 3/4

Available options

CUS	Custom finish
MGU	Marine grade undercoat
RAL	RAL finish



BEGA 1000 BEGA Way, Carpinteria, CA 93013 (805) 684-0533 info@bega-us.com