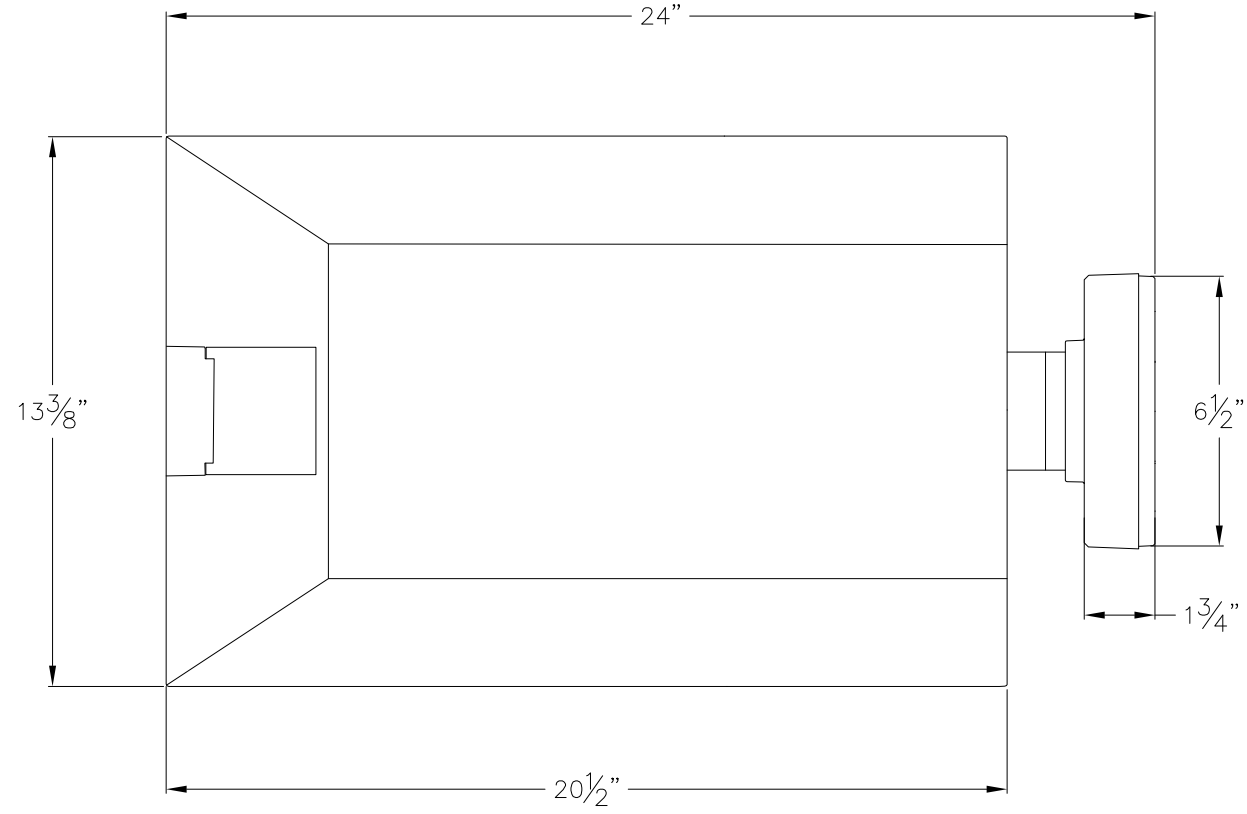
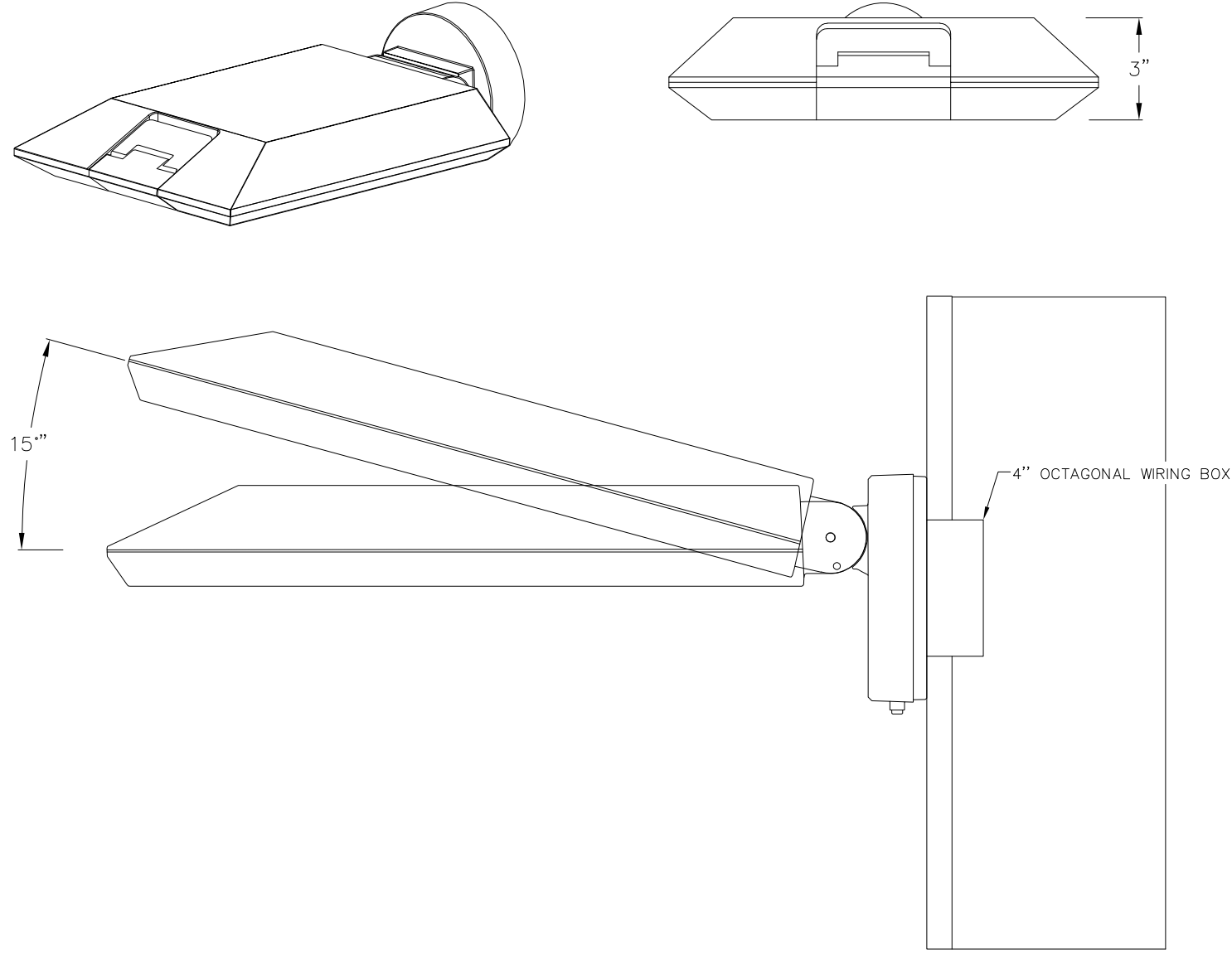


NOTES:

1. LUMINAIRE #66 452— SEE SPECIFICATIONS
2. MOUNTS DIRECTLY TO STANDARD 4" OCTAGONAL WIRING BOX (BY OTHERS), USING MOUNTING KIT #3 (SUPPLIED)
3. LUMINAIRE TILT FROM 0° TO 15° (SHOWN BELOW)
4. ADJUST TILT BY LOOSENING HEX NUT LOCATED IN LUMINAIRE BASE



TYPE: _____

SUBMITTAL APPROVAL

APPROVED BY: _____ DATE: _____
 SIGNED: _____

REV.	DATE	DESCRIPTION

CAT NO.: 66 452

PROJECT: _____

LOCATION: _____

DRAWN: SB

DATE: 7/2/2019 File Name: 66452.DXF

BEGA

1000 Bega Way
 Carpinteria, Ca. 93013
 (805) 684-0533

This print contains confidential information which is the property of BEGA U.S. By acceptance this information, the borrower agrees that it will not be used for any other purpose other than that which is was loaned.