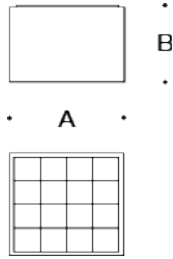


Tools Required:

- 3mm hex key
- Phillips medium screwdriver



Dimensions

- A: 6-3/4" x 6-3/4"
- B: 4"



Protection Class: IP65

Weight: 5.73 lbs.

Notice to Installer for 66 156:

1. **BEGA luminaires may be damaged if connected to conduit systems containing water- Article 300-5G of National Electric Code requires that "Conduits or raceways through which moisture may contact energized live parts shall be sealed or plugged at either or both ends".**
2. Mounts directly to a standard recessed 4" octagonal wiring box (by others) using adaptor plate (provided).
3. In conformance with U.L. Standards 1598, a silicone-based sealant **MUST** be used between the mounting plate edge and supporting wall.
4. LEDs are high-quality electronic components! Please avoid touching the light output opening of the LED directly during installation.

66 156 - installation:

1. Remove luminaire mounting plate by loosening (x2) 3mm set screws.
2. Install (2) long 8-32 x 3/4" mounting screws (provided) in the back of the adaptor plate as shown.
3. Attach adaptor plate to wiring box using (2) 8-32 x 1/2" screws provided. Feed luminaire wires through luminaire base and adaptor plate.
4. Make supply wiring connections inside the linear wiring box:
 MAIN VOLTAGE SUPPLY WIRE TO BLACK LUMINAIRE WIRE
 NEUTRAL (COMMON) SUPPLY WIRE TO WHITE LUMINAIRE WIRE
 GREEN GROUND WIRE TO GREEN LUMINAIRE WIRE

Dimming (if applicable):

- DIMMING CONTROL WIRE (+) TO POSITIVE DRIVER DIM CONTROL WIRE
- DIMMING CONTROL WIRE (-) TO NEGATIVE DRIVER DIM CONTROL WIRE

5. Place a small bead of silicone around the back side of the luminaire base that will come in contact with the finished wall (exterior applications only).
6. Attach luminaire base to adaptor plate over the mounting screws using the (2) acorn nuts provided in the mounting kit. Tighten the nuts to back the screws into the wiring box and secure the plate to the box.
7. Replace luminaire over mounting plate and tighten (x2) 3mm set screws to secure, make sure the gasket is seated properly.

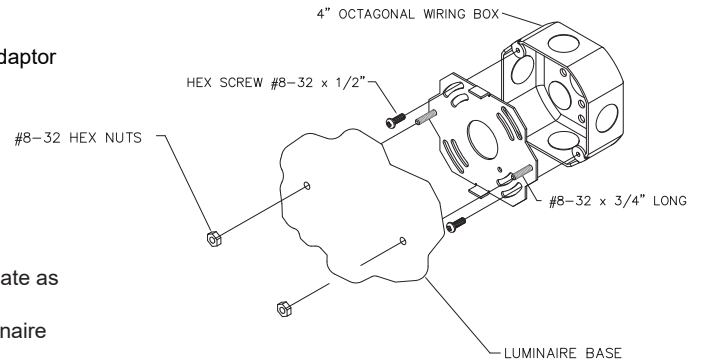


Figure 1: Generic Image

Relamping/Maintenance

No relamping necessary.

Accessories

Please refer to the appropriate accessory installation sheet for further instruction when applicable.

Replacement Parts

Description	Part No
LED Driver (120V-277V)	75985-01
LED Module (3000K)	LED-0588/930
LED Module (4000K)	LED-0588/940

Lamp: 33.6W LED

In the interest of product improvement, BEGA reserves the right to make technical changes without notice.

Product Safety Warnings:

THIS PRODUCT MUST BE INSTALLED IN ACCORDANCE WITH THE APPLICABLE INSTALLATION CODE BY A PERSON FAMILIAR WITH THE CONSTRUCTION AND OPERATION OF THE PRODUCT AND THE HAZARDS INVOLVED. SUITABLE FOR WET LOCATIONS.

MIN 60°C SUPPLY CONDUCTORS.

CE PRODUIT DOIT ÊTRE INSTALLÉ SELON LE CODE D'INSTALLATION PERTINENT, PAR UNE PERSONNE QUI CONNAÎT BIEN LE PRODUIT ET SON FONCTIONNEMENT AINSI QUE LES RISQUES INHÉRENTS. CONVIENT AUX EMPLACEMENTS MOUILLÉS.

LES FILS D'ALIMENTATION 60°C MIN.
