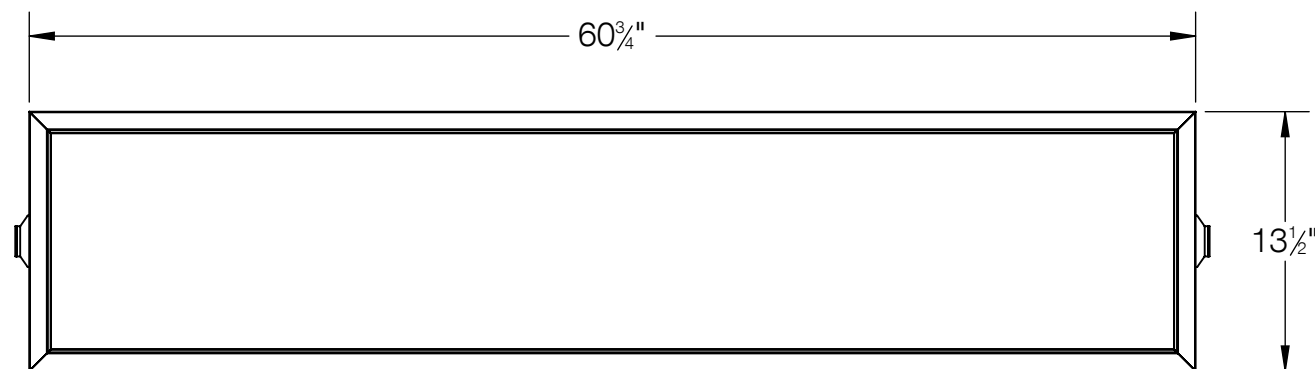
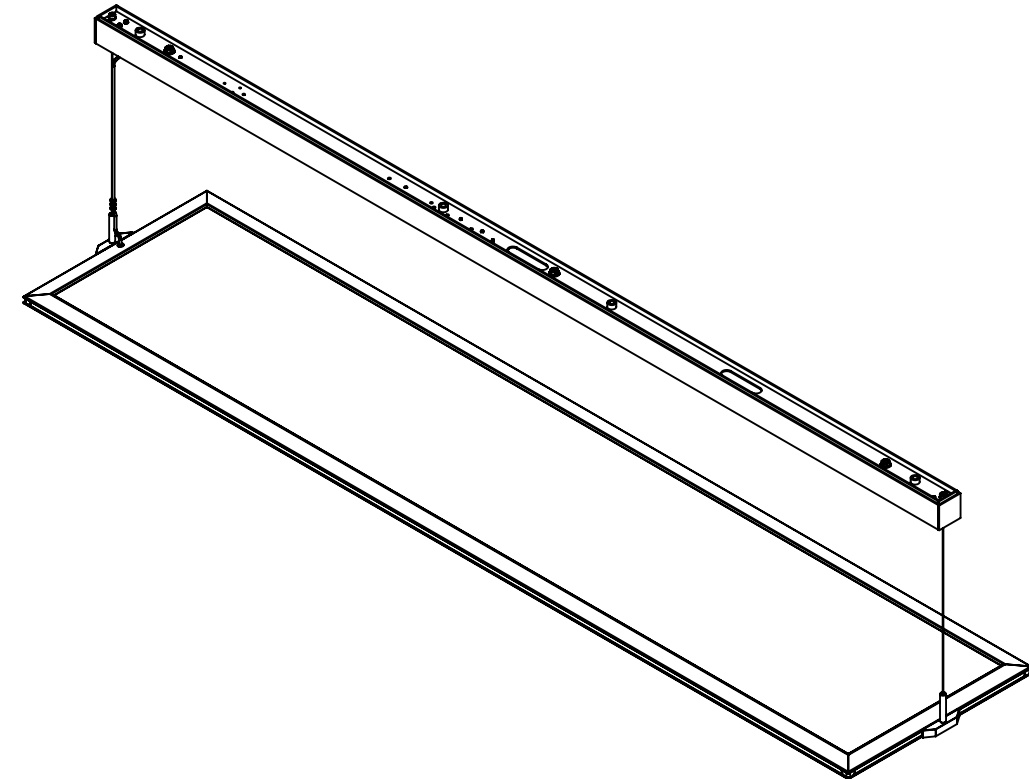
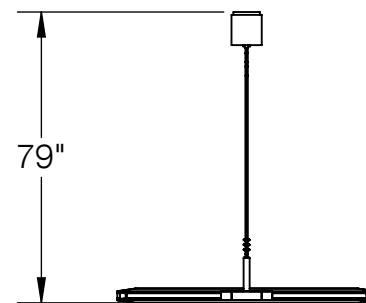
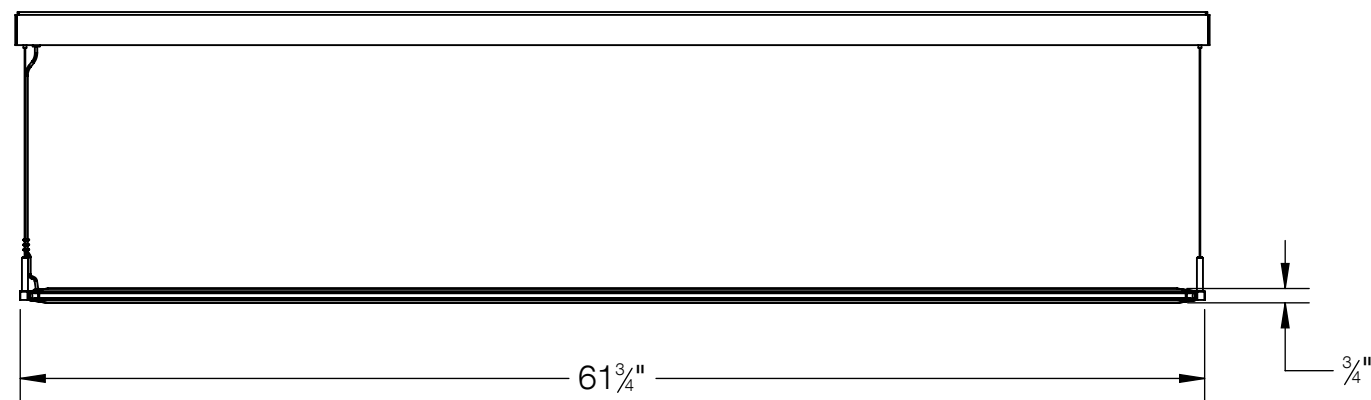


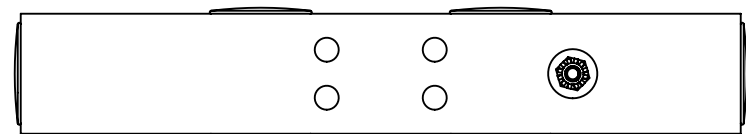
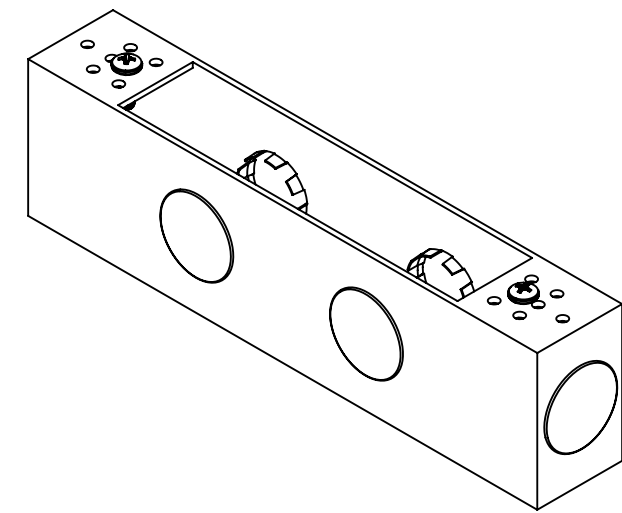
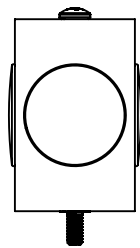
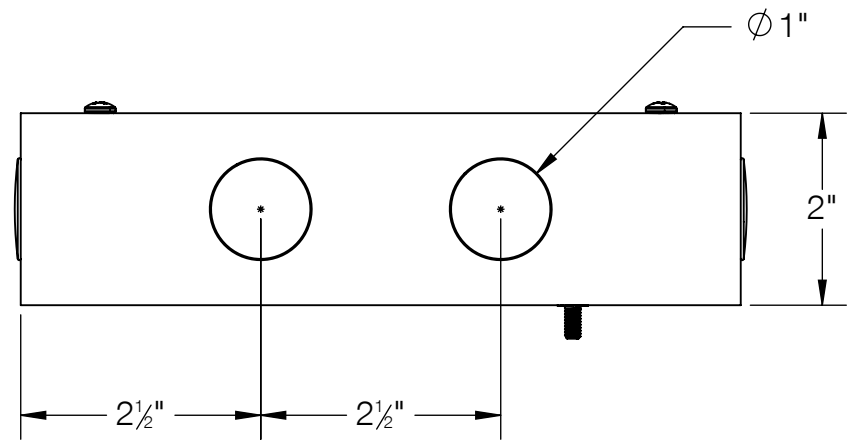
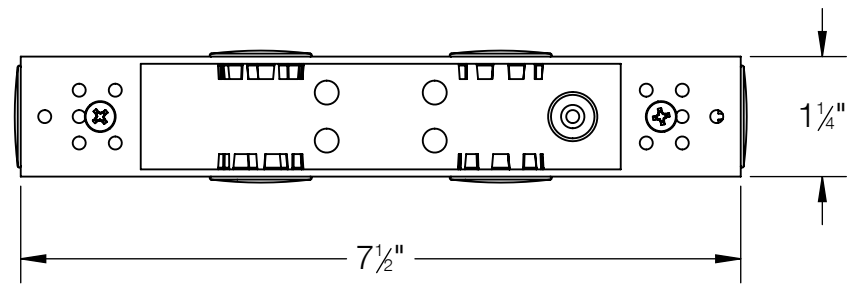
REV	CHANGED BY	DESCRIPTION	DATE



NOTES:
 1. INCLUDES NARROW OPENING WIRING BOX B19537

BEGA		
1000 BEGA Way, Carpinteria, California 93013		P (805) 684-0533 - www.bega-us.com
APPROVED: _____	DATE: _____	DESCRIPTION: EDGE-LIT SUSPENDED LUMINAIRE
TYPE: _____		
PROPRIETARY AND CONFIDENTIAL THE INFORMATION CONTAINED IN THIS DRAWING IS THE SOLE PROPERTY OF BEGA NORTH AMERICA, INC. ANY REPRODUCTION IN PART OR AS A WHOLE WITHOUT THE WRITTEN PERMISSION OF BEGA NORTH AMERICA, INC. IS PROHIBITED.	SIZE B	PART NO. 56625
	NOT TO SCALE	REV -
	3/23/2021	SHEET 1 OF 2

REV	CHANGED BY	DESCRIPTION	DATE



BEGA		1000 BEGA Way, Carpinteria, California 93013		P (805) 684-0533 - www.bega-us.com	
APPROVED: _____ DATE: _____		DESCRIPTION: NARROW OPENING WIRING BOX			
TYPE: _____					
PROPRIETARY AND CONFIDENTIAL THE INFORMATION CONTAINED IN THIS DRAWING IS THE SOLE PROPERTY OF BEGA NORTH AMERICA, INC. ANY REPRODUCTION IN PART OR AS A WHOLE WITHOUT THE WRITTEN PERMISSION OF BEGA NORTH AMERICA, INC. IS PROHIBITED.		SIZE B	PART NO. B19537	REV -	NOT TO SCALE
		3/23/2021	SHEET 2 OF 2		