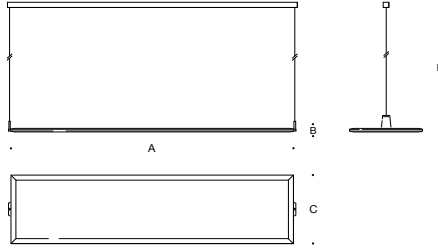


**Tools Required:**

- Small slotted screwdriver
- Phillips medium screwdriver
- Adjustable wrench



**Dimensions**

- A:** 61-3/4 "
- B:** 3/4 "
- C:** 13-1/2 "
- L:** 79 "



**Weight:** 26.5 lbs.

**Notice to Installer for 56 625:**

1. See page 2 for specific product safety warnings.
2. Luminaire mounting canopy mounts directly to ceiling and support OVER 19537 wiring box (provided). See installation instructions provided with small opening wiring box for proper installation.
3. LEDs are high-quality electronic components! Please avoid touching the light output opening of the LED directly during installation.
4. The use of support under the luminaire during installation is highly recommended.

**56 625 - installation:**

1. Detach canopy from mounting plate and lower down steel suspension cables. Canopy is held in place magnetically (Figure 1).
2. Route the luminaire wiring through elongated hole in the mounting bracket.
3. Make supply wiring and luminaire wiring connections inside 19 537 wiring box:
  - MAIN VOLTAGE SUPPLY WIRE TO BLACK DRIVER WIRE(S);
  - NEUTRAL (COMMON SUPPLY WIRE TO WHITE DRIVER WIRE(S);
  - GREEN GROUND WIRE TO GREEN DRIVER WIRE(S).

**0-10V dimming (if applicable):**

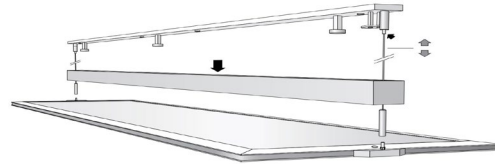
- DIMMING CONTROL WIRE (+) TO POSITIVE DRIVER DIM CONTROL WIRE
- DIMMING CONTROL WIRE (-) TO NEGATIVE DRIVER DIM CONTROL WIRE

4. Attach the mounting bracket directly to the ceiling surface over the 19 537 wiring box using hardware (by others) (Figure 2).
5. Raise canopy back up the steel suspension cables and affix to mounting bracket with magnets.

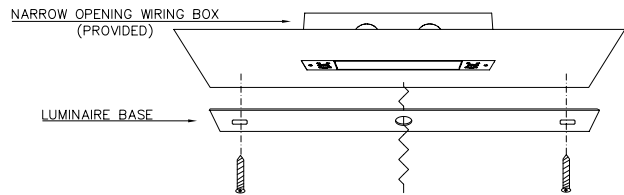
**56 625 - leveling:**

1. To expose the luminaire support adjustment nuts, twist the stainless steel sleeves at ends of the luminaire frame counterclockwise, and slide them up the steel suspension cables making sure to support the luminaire from the bottom (Figure 3).
2. Loosen the exposed nuts with an adjustable wrench, and slide the lateral clamps on either end of the luminaire to level (Figure 4).
3. When level, tighten the nuts, and slide the stainless steel sleeves back down and tighten.

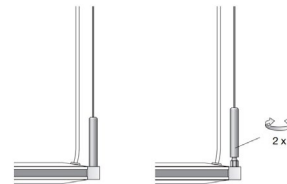
**Figure 1: Canopy lowering via magnetic connection**



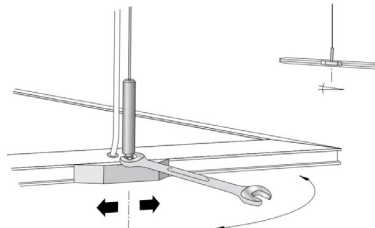
**Figure 2: Attach mounting bracket to ceiling**



**Figure 3: Expose lateral adjustment nut**



**Figure 4: Adjust lateral clamps**



**Accessories**

Please refer to the appropriate accessory installation sheet for further instruction when applicable.

**Maintenance:**

Clean regularly with solvent-free cleaner removing dust and debris.

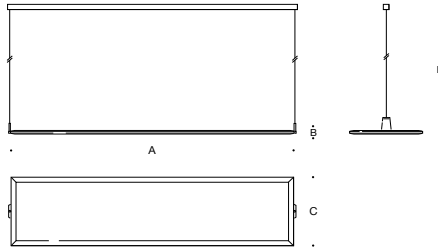
**Replacement Parts**

See label inside of fixture for LED replacement part number.  
Consult factory for all other replacement components.

In the interest of product improvement, BEGA reserves the right to make technical changes without notice.

**Tools Required:**

- Small slotted screwdriver
- Phillips medium screwdriver



**Dimensions**

- A:** 61-3/4 "
- B:** 3/4 "
- C:** 13-1/2 "
- L:** 79 "



**Weight:** 26.5 lbs.

**56 625 - shortening luminaire cables:**

**Flexible electrical cable:**

1. Detach canopy from mounting plate and lower down steel suspension cables. Canopy is held in place magnetically (Figure 1).
2. Route flexible luminaire cable through the three transparent silicone rings to the desired length (Figure 5).
3. Lead the cable through the grommet in the canopy and through the strain relief on the mounting bracket (Figure 6).
4. Coil excess wire in canopy and slide canopy up steel suspension cables affixing it to the mounting bracket with the magnets.

**NOTE: Shortening of the flexible electrical cable can only be made at the canopy side of the luminaire.**

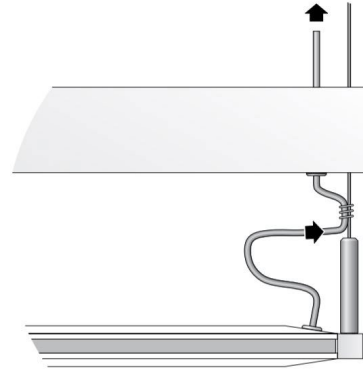
**Steel suspension cables:**

1. Press the steel suspension cable grip on the canopy up to allow the cable to be fed up into the canopy while supporting the luminaire from below.

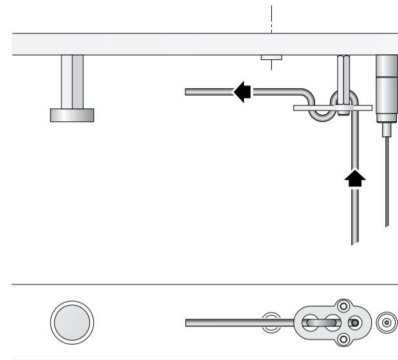
**NOTE: Pressing the cable grip in will also allow the steel suspension cable to be lengthened if needed.**

2. Once the cable is the desired length, release the cable grip to lock in place.

**Figure 5: Flexible cable through silicone rings**



**Figure 6: Flexible cable through strain relief**



**Accessories**

Please refer to the appropriate accessory installation sheet for further instruction when applicable.

**Maintenance:**

Clean regularly with solvent-free cleaner removing dust and debris.

**Replacement Parts**

See label inside of fixture for LED replacement part number.  
Consult factory for all other replacement components.

In the interest of product improvement, BEGA reserves the right to make technical changes without notice.

**Product Safety Warnings:**

**THIS PRODUCT MUST BE INSTALLED IN ACCORDANCE WITH THE APPLICABLE INSTALLATION CODE BY A PERSON FAMILIAR WITH THE CONSTRUCTION AND OPERATION OF THE PRODUCT AND THE HAZARDS INVOLVED. SUITABLE FOR DAMP LOCATIONS.**

**MIN 90°C SUPPLY CONDUCTORS.**

**CE PRODUIT DOIT ÊTRE INSTALLÉ SELON LE CODE D'INSTALLATION PERTINENT, PAR UNE PERSONNE QUI CONNAÎT BIEN LE PRODUIT ET SON FONCTIONNEMENT AINSI QUE LES RISQUES INHÉRENTS. CONVIENT AUX EMPLACEMENTS HUMIDES.**

**LES FILS D'ALIMENTATION 90°C MIN.**

---