

**Tools Required:**

- Flat head screw driver medium
- Phillips head screw driver medium

**Weight:** 4.2 lbs.



**Dimensions**

- A:** 7-5/8 "
- B:** 8-3/4 "



**Notice: Instructions for standard installation.  
For low profile canopy, see pages 2-3.**

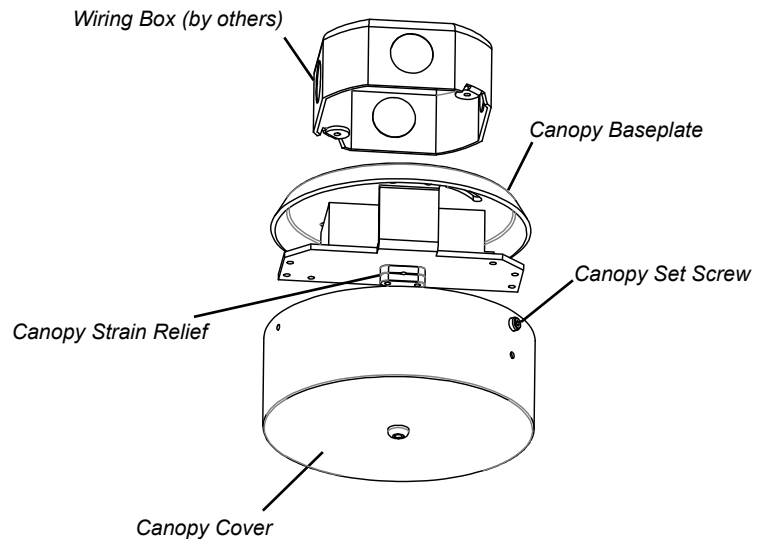
**Notice to Installer for 56 615:**

- See page 2 for specific product safety warnings.
- Select the desired housing material finish by using appropriate code number as suffix.
  - 56615.2 - Velvet black + aluminum
  - 56615.4 - Velvet black + brass
  - 56615.6 - Velvet black + copper
- Mounts directly to standard recessed 4" octagonal wiring box (by others).
- LEDs are high-quality electronic components! Please avoid touching the light output opening of the LED directly during installation.

**56 615 - installation:**

- Undo set screw on canopy cover and lower canopy cover from canopy baseplate.
- Undo two set screws on canopy strain relief, adjust luminaire cable to desired length, and re-tighten two set screws.
- Feed driver wires through canopy baseplate.
- Make supply wiring and driver wiring connections inside the wiring box (by others):
  - MAIN VOLTAGE SUPPLY WIRE TO BLACK LUMINAIRE WIRE
  - NEUTRAL (COMMON) SUPPLY WIRE TO WHITE LUMINAIRE WIRE
  - GREEN GROUND WIRE TO GREEN LUMINAIRE WIRE
- Dimming (if applicable):**
  - DIMMING CONTROL WIRE (+) TO POSITIVE DRIVER DIM CONTROL WIRE
  - DIMMING CONTROL WIRE (-) TO NEGATIVE DRIVER DIM CONTROL WIRE
- Mount canopy baseplate directly to standard recessed 4" octagonal wiring box (by others).
- Move canopy cover up to the ceiling/canopy baseplate and tighten set screw on canopy cover to secure.

**Figure 1: Mounting Canopy (Generic Image)**



**Relamping/Maintenance**

No relamping required. Clean luminaire using on solvent-free cleansers.

**Accessories**

Please refer to the appropriate accessory installation sheet for further instruction when applicable.

**Replacement Parts**

Description	Part No
LED driver (120-277V)	75983-02
LED module (3000K)	LED-0328/930
LED module (4000K)	LED-0328/940

**Lamp:** 13.5W LED

In the interest of product improvement, BEGA reserves the right to make technical changes without notice.

**Tools Required:**

- Flat head screw driver medium
- Phillips head screw driver medium

**Weight:** 4.2 lbs.



**Dimensions**

- A:** 7-5/8 "
- B:** 8-3/4 "



**Low Profile Canopy Installation Methods**

**79005 - wiring box installation:**

**Hollow (stud) ceiling construction** - Secure wiring box to wood or metal blocking. Connect conduit to wiring box (if needed) and pull wires for electrical connections to be made later.

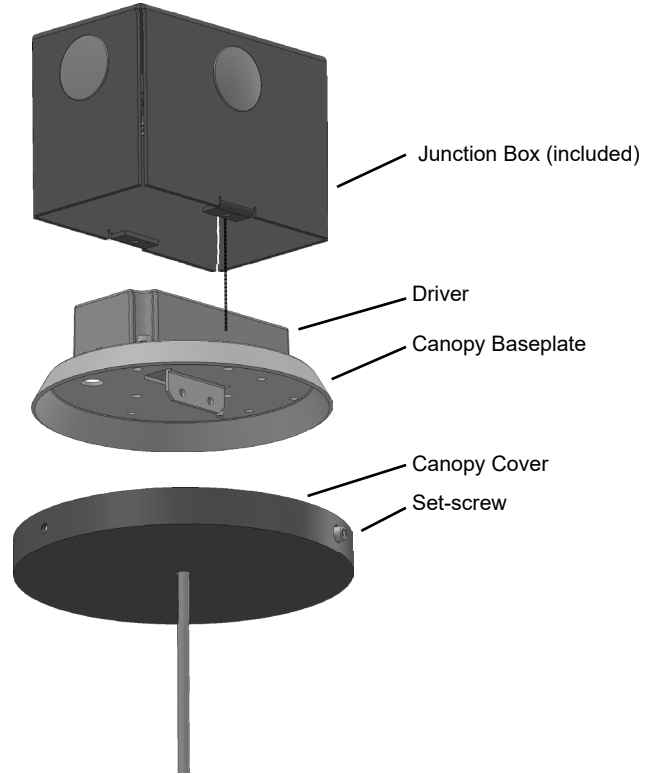
**Poured concrete construction** - Attach wiring box to concrete form. Connect conduit to wiring box and pull wires for electrical connections to be made later. Pour concrete and remove form.

**IMPORTANT: Do not pour concrete directly on to box!**

**56 615 w/Low Profile Canopy - installation:**

- Undo set screw on canopy cover and lower from canopy baseplate.
- Undo two set screws on canopy strain relief, adjust luminaire cable to desired length, and re-tighten two set screws.
- Make supply wiring and driver wiring connections inside the wiring box:  
 MAIN VOLTAGE SUPPLY WIRE TO BLACK LUMINAIRE WIRE  
 NEUTRAL (COMMON) SUPPLY WIRE TO WHITE LUMINAIRE WIRE  
 GREEN GROUND WIRE TO GREEN LUMINAIRE WIRE
- Dimming (if applicable):**  
 DIMMING CONTROL WIRE (+) TO POSITIVE DRIVER DIM CONTROL WIRE  
 DIMMING CONTROL WIRE (-) TO NEGATIVE DRIVER DIM CONTROL WIRE
- Mount canopy baseplate directly to wiring box 79005 using hardware (provided).
- Move canopy cover up to the canopy baseplate and tighten set screw to secure.

**Figure 1: Mounting Canopy (Generic Image)**



**Relamping/Maintenance**

No relamping required. Clean luminaire using on solvent-free cleansers.

**Accessories**

Please refer to the appropriate accessory installation sheet for further instruction when applicable.

**Replacement Parts**

Description	Part No
LED driver (120-277V)	76059
LED module (3000K)	LED-0328/930
LED module (4000K)	LED-0328/940

**Lamp:** 13.5W LED

In the interest of product improvement, BEGA reserves the right to make technical changes without notice.

## Product Safety Warnings:

**THIS PRODUCT MUST BE INSTALLED IN ACCORDANCE WITH THE APPLICABLE INSTALLATION CODE BY A PERSON FAMILIAR WITH THE CONSTRUCTION AND OPERATION OF THE PRODUCT AND THE HAZARDS INVOLVED. SUITABLE FOR DAMP LOCATIONS.**

**MIN 90°C SUPPLY CONDUCTORS.**

**CE PRODUIT DOIT ÊTRE INSTALLÉ SELON LE CODE D'INSTALLATION PERTINENT, PAR UNE PERSONNE QUI CONNAÎT BIEN LE PRODUIT ET SON FONCTIONNEMENT AINSI QUE LES RISQUES INHÉRENTS. CONVIENT AUX EMPLACEMENTS HUMIDES.**

**LES FILS D'ALIMENTATION 90°C MIN.**

---