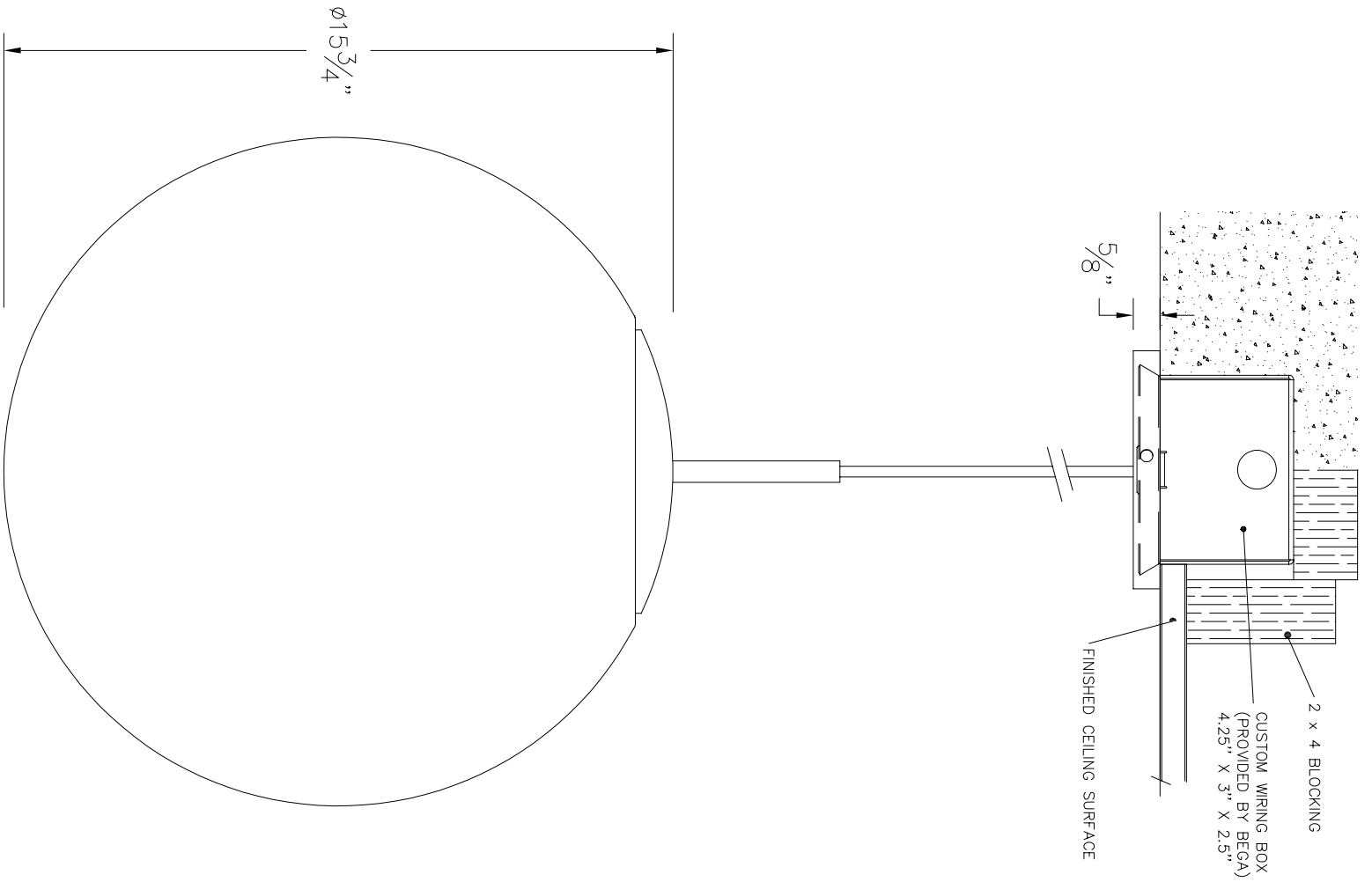


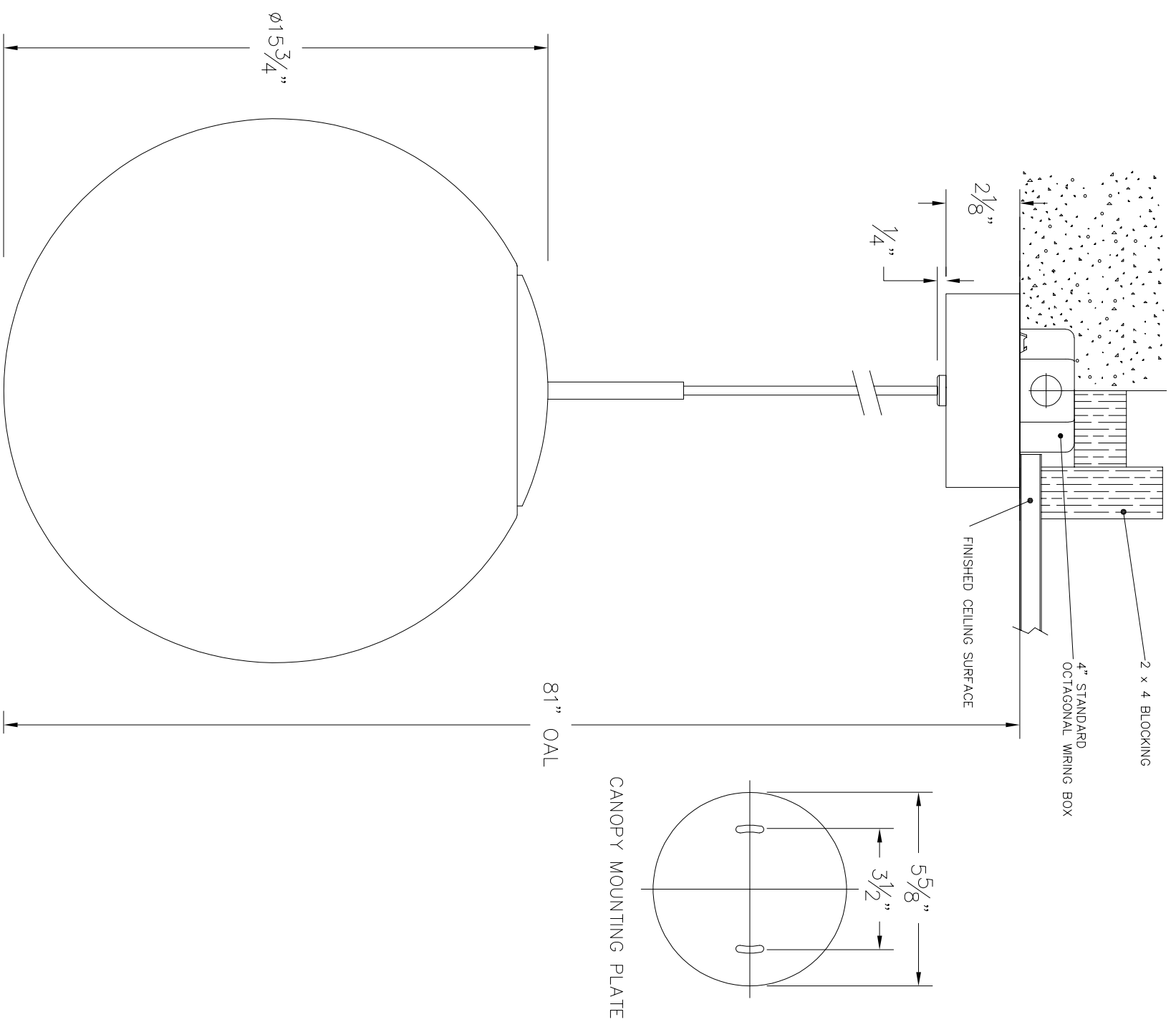
LOW PROFILE CANOPY

| CONCRETE INSTALLATION | HOLLOW WALL INSTALLATION |



STANDARD CANOPY

| CONCRETE INSTALLATION | HOLLOW WALL INSTALLATION |



NOTES:

LUMINAIRE # 56 591.X WITH LOW PROFILE CANOPY
 - SEE SPECIFICATIONS

NOTES:

LUMINAIRE # 56 591.X WITH STANDARD CANOPY -
 SEE SPECIFICATIONS

TYPE: _____

SUBMITTAL APPROVAL

APPROVED BY: _____

SIGNED: _____ DATE: _____

CAT NO.: 56 591.X

PROJECT: -

LOCATION: -

DRAWN: SB DATE: 9/27/2018 FILE NAME: 56591.dxf

BEGA

1000 Bega Way
 Carpinteria, Ca. 93013
 (805) 684-0533

| REV. | DATE | DESCRIPTION |
|------|------|-------------|
| | | |

This print contains confidential information which is the property of BEGA U.S. By acceptance this information, the borrower agrees that it will not be used for any other purpose other than that which it was loaned.