

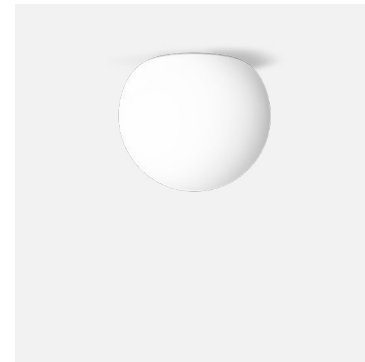
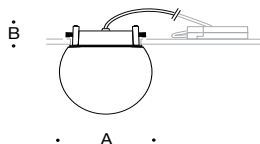
Tools Required:

- Torx T20 screwdriver
- Medium Phillips screwdriver

Dimensions

A: 7 7/8"

B: 2"



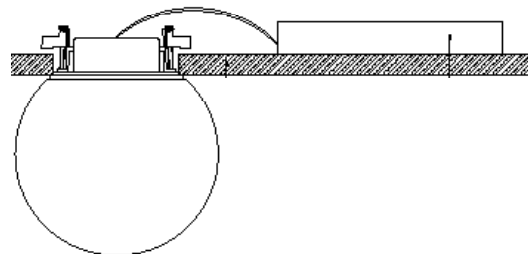
Overview:

LED Watts: 8.2W
 System Watts: 12.0W
 Controllability: 0-10V dimmable
 Weight: 2.7 lbs.

Notice to Installer:

1. See page 3 for specific product safety warnings.
2. Luminaire is Non-IC rated. Insulation must be at least 3" from luminaire.
3. Luminaire not suitable for poured concrete construction.
4. Minimum ceiling clearance is 7" to fit ceiling box. Minimum ceiling thickness 1/4", maximum ceiling thickness is 1".
5. A recessed opening of $\varnothing 4 \frac{11}{16}$ " is required.
6. CEILINGBOX provided.
7. Integral LED module and ceiling box with LED Driver included.
8. LEDs are high-quality electronic components! Please avoid touching the light output opening of the LED directly during installation.

Figure 1:



Installation: Ceiling Box

1. Disconnect fixture from ceiling box via quick-disconnect connector
2. Unscrew (2) Torx head screws to open ceiling box.
3. Bring supply wiring into ceiling box via strain relief bushing and make connections from supply wires to driver wires:
 MAIN VOLTAGE SUPPLY WIRE TO BLACK DRIVER WIRE(S);
 NEUTRAL (COMMON SUPPLY WIRE TO WHITE DRIVER WIRE(S);
 GREEN GROUND WIRE TO GREEN DRIVER WIRE(S).
 0-10V Dimming (if applicable):
 DIMMING CONTROL WIRE (+) TO POSITIVE DRIVER PURPLE DIM CONTROL WIRE
 DIMMING CONTROL WIRE (-) TO NEGATIVE DRIVER GRAY DIM CONTROL WIRE
4. Tighten (2) Philips-head screws on strain relief bushing. Replace and tighten (2) Torx head screws to close ceiling box.
5. Connect the fixture to the ceiling box via quick-disconnect.
6. Attached (1 of 2) strain relief hooks from ceilingbox to back of the luminaire housing.
7. [Wall Applications] Attach the second ceiling box strain relief hook from the ceilingbox onto structural member.
8. [Ceiling Applications] Push the ceiling box through the ceiling cut-out. The ceiling box will rest on ceiling construction material.

Note: Minimum ceiling clearance of 7" is required to fit ceiling box.

Accessories

Please refer to the appropriate accessory installation sheet for further instruction when applicable.

Maintenance:

Clean regularly with solvent-free cleaner removing dirt and debris. Do not use high pressure cleaners.

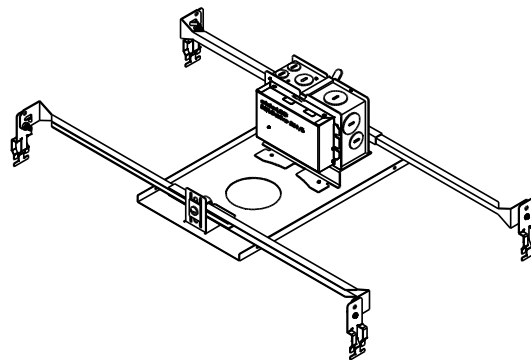
Replacement Parts

See label inside of fixture for LED replacement part number.

Consult factory for all other replacement components.

Tools Required:

T20 TORX Head



Overview: Ceiling Pan

- Rating: Non-IC
- Ceiling Thickness: 1/2" Min - 3/4" Max
- Min Ceiling Clearance: 4 5/8"
- Ceiling Cutout 4 11/16"
- Driver Location: Ceiling Pan
- Controllability: 0-10V dimmable down to 0.1%

Optional Ceiling Pan:

Notice to Installer:

1. See page 3 for specific product safety warnings.
2. Luminaire is non-IC rated. Insulation must be at least 3" from luminaire housing.
3. Minimum ceiling clearance is 4 5/8".
4. Ceiling thickness must be between 1/2" and 3/4".
5. Ceiling cut out is Ø 4 11/16"
6. Driver (included) located on ceiling pan

Installation: Suspended ceiling

1. Attach ceiling pan to T-bar using (4) (included) snap-on brackets.
2. Level rough-in kit so bottom of pan will sit on top of ceiling material.
3. Bring supply wiring in to junction box and make connections from supply wires to driver wires:

MAIN VOLTAGE SUPPLY WIRE TO BLACK DRIVER WIRE(S);
 NEUTRAL (COMMON SUPPLY WIRE TO WHITE DRIVER WIRE(S);
 GREEN GROUND WIRE TO GREEN DRIVER WIRE(S).

Dimming (if applicable):

DIMMING CONTROL WIRE (+) TO POSITIVE DRIVER DIM CONTROL WIRE
 DIMMING CONTROL WIRE (-) TO NEGATIVE DRIVER DIM CONTROL WIRE

50 634 Installation:

1. Connect quick-disconnect and tethered aircraft cable between the ceiling box and luminaire housing.
2. Push rough-in housing into opening in ceiling. Rough-in housing is held into place with (3) wedge-shaped claws . If ceiling is less than 1/4" thick, reinforcement must be used to allow claws to engage with back side of ceiling surface.
3. Evenly tighten T20 TORX head screws to engage wedge-shaped claws.
4. Screw glass with gasket into the luminaire housing, ensuring gasket is seated evenly.

Accessories

Please refer to the appropriate accessory installation sheet for further instruction when applicable.

Maintenance:

Clean regularly with solvent-free cleaner removing dirt and debris. Do not use high pressure cleaners.

Replacement Parts

See label inside of fixture for LED replacement part number.

Consult factory for all other replacement components.

Product Safety Warnings:

THIS PRODUCT MUST BE INSTALLED IN ACCORDANCE WITH THE APPLICABLE INSTALLATION CODE BY A PERSON FAMILIAR WITH THE CONSTRUCTION AND OPERATION OF THE PRODUCT AND THE HAZARDS INVOLVED. SUITABLE FOR DAMP LOCATIONS. MIN 90°C SUPPLY CONDUCTORS.

CE PRODUIT DOIT ÊTRE INSTALLÉ SELON LE CODE D'INSTALLATION PERTINENT, PAR UNE PERSONNE QUI CONNAÎT BIEN LE PRODUIT ET SON FONCTIONNEMENT AINSI QUE LES RISQUES INHÉRENTS. CONVIENT AUX EMPLACEMENTS HUMIDE.

LES FILS D'ALIMENTATION 90°C MIN.