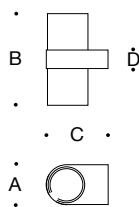


Tools Required:

- 2.5mm hex head screw driver

Overview:

LED Watts: 23.0W
 System Watts: 27.0W
 Controllability: TRIAC, ELV, 0-10V dimmable
 Weight: 5.7 lbs.



Dimensions

- A:** 5-5/8"
- B:** 11-1/2"
- C:** 7-1/8"
- D:** 3"

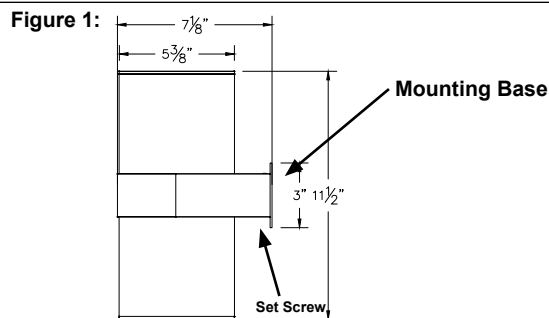


Notice to Installer:

1. See page 2 for specific product safety warnings.
2. Select the desired trim ring or housing finish by using appropriate code number as suffix:
 50604.1 – White
 50604.5 – Velvet black
3. Mounts directly onto horizontal single-gang wiring box (by others).
4. LEDs are high-quality electronic components! Please avoid touching the light output opening of the LED directly during installation.

Installation: Luminaire

1. Using a 2.5mm Hex screwdriver, remove mounting plate from luminaire by loosening set screw at base of luminaire. [Figure 1]
2. Attach mounting plate to horizontal single gang wiring box using hardware (by others).
3. Lead the mains supply cable through the cable entry of the mounting plate and make connections from supply wires to driver wires:
 MAIN VOLTAGE SUPPLY WIRE TO BLACK DRIVER WIRE(S);
 NEUTRAL (COMMON SUPPLY WIRE TO WHITE DRIVER WIRE(S);
 GREEN GROUND WIRE TO GREEN DRIVER WIRE(S).
- Dimming (if applicable):
 DIMMING CONTROL WIRE (+) TO POSITIVE PURPLE DRIVER DIM CONTROL WIRE
 DIMMING CONTROL WIRE (-) TO NEGATIVE GREY DRIVER DIM CONTROL WIRE
4. Fasten luminaire to mounting plate and secure using a 2.5mm Hex screwdriver.



Accessories

Please refer to the appropriate accessory installation sheet for further instruction when applicable.

Maintenance:

Clean regularly with solvent-free cleaner removing dirt and debris. Do not use high pressure cleaners.

Replacement Parts

See label inside of fixture for LED replacement part number.
 Consult factory for all other replacement components.

Product Safety Warnings:

THIS PRODUCT MUST BE INSTALLED IN ACCORDANCE WITH THE APPLICABLE INSTALLATION CODE BY A PERSON FAMILIAR WITH THE CONSTRUCTION AND OPERATION OF THE PRODUCT AND THE HAZARDS INVOLVED. SUITABLE FOR DAMP LOCATIONS. MIN 90°C SUPPLY CONDUCTORS.

CE PRODUIT DOIT ÊTRE INSTALLÉ SELON LE CODE D'INSTALLATION PERTINENT, PAR UNE PERSONNE QUI CONNAÎT BIEN LE PRODUIT ET SON FONCTIONNEMENT AINSI QUE LES RISQUES INHÉRENTS. CONVIENT AUX EMPLACEMENTS HUMIDE.

LES FILS D'ALIMENTATION 90°C MIN.