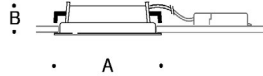


Tools Required:

- Torx T20 screwdriver
- Medium Phillips screwdriver

Dimensions

- A:** 13-3/8"
B: 2-3/8"



Overview:

- LED Watts: 28.1W
 System Watts: 33.0W
 Controllability: 0-10V dimmable
 Weight: 6.2 lbs.

Notice to Installer:

1. See page 3 for specific product safety warnings.
2. Luminaire not suitable for poured concrete construction.
3. Luminaire is non-IC rated. Insulation must be at least 3" from luminaire housing.
4. Minimum ceiling clearance is 7" to fit ceiling box.
5. Ceiling/Wall thickness must be between 1/4" and 3/4".
6. Cut out diameter is 12 13/16"
7. Ceiling box with driver included (Figure 1)

Installation: Ceiling Box

1. Disconnect fixture from ceiling box via quick-disconnect connector
2. Unscrew (2) Torx head screws to open ceiling box.
3. Bring supply wiring into ceiling box via strain relief bushing and make connections from supply wires to driver wires:
 MAIN VOLTAGE SUPPLY WIRE TO BLACK DRIVER WIRE(S);
 NEUTRAL (COMMON SUPPLY WIRE TO WHITE DRIVER WIRE(S);
 GREEN GROUND WIRE TO GREEN DRIVER WIRE(S).
 0-10V Dimming (if applicable):
 DIMMING CONTROL WIRE (+) TO POSITIVE DRIVER PURPLE DIM CONTROL WIRE
 DIMMING CONTROL WIRE (-) TO NEGATIVE DRIVER GRAY DIM CONTROL WIRE
4. Tighten (2) Philips-head screws on strain relief bushing. Replace and tighten (2) Torx head screws to close ceiling box.
5. Connect the fixture to the ceiling box via quick-disconnect.
6. Attached (1 of 2) strain relief hooks from ceilingbox to back of the luminaire housing.
7. [Wall Applications] Attach the second ceiling box strain relief hook from the ceilingbox onto structural member.
8. [Ceiling Applications] Push the ceiling box through the ceiling cut-out. The ceiling box will rest on ceiling construction material.

Installation: Luminaire Housing - Ceiling or Wall

1. Remove glass diffuser by twisting counter-clockwise.
2. Place luminaire housing up into ceiling or wall and tighten (3) using T20 Torx driver to engage claw fasteners till secure.
3. Install glass diffuser by twisting clockwise. Do not over-tighten.

Figure 1: Ceilingbox Installation (Generic Image)

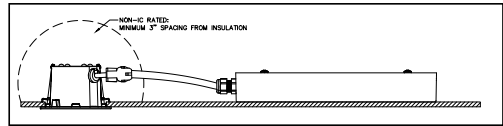
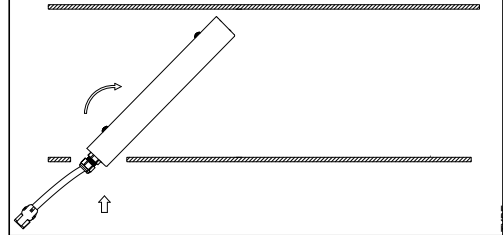


Figure 2: Glass Removal (Generic Image)

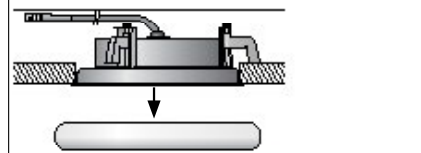
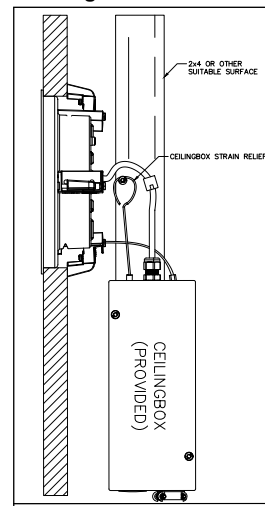


Figure 3: Ceilingbox Wall Installation (Generic Image)



Accessories

Please refer to the appropriate accessory installation sheet for further instruction when applicable.

Maintenance:

Clean regularly with solvent-free cleaner removing dust and debris.

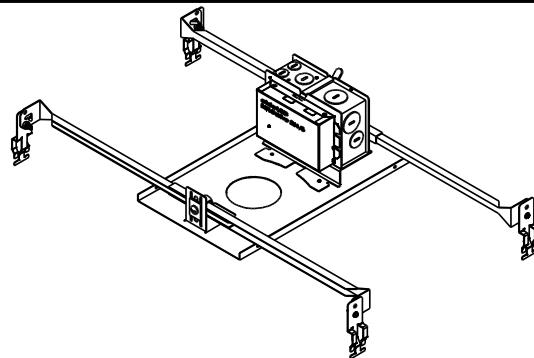
Replacement Parts

See label inside of fixture for LED replacement part number.

Consult factory for all other replacement components.

Overview: Ceiling Pan

- Rating: Non-IC
- Ceiling Thickness: 1/2" Min - 3/4" Max
- Min Ceiling Clearance: 4 5/8"
- Ceiling Cutout 12 13/16"
- Driver Location: Ceiling Pan
- Controllability: 0-10V dimmable down to 0.1%



Optional Ceiling Pan:

Notice to Installer:

1. See page 3 for specific product safety warnings.
2. Luminaire is non-IC rated. Insulation must be at least 3" from luminaire housing.
3. Minimum ceiling clearance is 4 5/8".
4. Ceiling thickness must be between 1/2" and 3/4".
5. Ceiling cut out is 12 13/16"
6. Driver (included) located on ceiling pan

Installation: Ceiling pan

1. Attach ceiling pan to T-bar using (4) (included) snap-on brackets.
 2. Level rough-in kit so bottom of pan will sit on top of ceiling material.
- Bring supply wiring in to junction box and make connections from supply wires to driver wires:

MAIN VOLTAGE SUPPLY WIRE TO BLACK DRIVER WIRE(S);
 NEUTRAL (COMMON SUPPLY WIRE TO WHITE DRIVER WIRE(S);
 GREEN GROUND WIRE TO GREEN DRIVER WIRE(S).

0-10V Dimming (if applicable):

DIMMING CONTROL WIRE (+) TO POSITIVE DRIVER PURPLE DIM CONTROL WIRE
 DIMMING CONTROL WIRE (-) TO NEGATIVE DRIVER GRAY DIM CONTROL WIRE

Installation: Luminaire Housing - Ceiling or Wall

1. Remove glass diffuser by twisting counter-clockwise.
2. Place luminaire housing up into ceiling or wall and tighten (3) using T20 Torx driver to engage claw fasteners till secure.
3. Install glass diffuser by twisting clockwise. Do not over-tighten.

Accessories

Please refer to the appropriate accessory installation sheet for further instruction when applicable.

Maintenance:

Clean regularly with solvent-free cleaner removing dust and debris.

Replacement Parts

See label inside of fixture for LED replacement part number.

Consult factory for all other replacement components.

Product Safety Warnings:

THIS PRODUCT MUST BE INSTALLED IN ACCORDANCE WITH THE APPLICABLE INSTALLATION CODE BY A PERSON FAMILIAR WITH THE CONSTRUCTION AND OPERATION OF THE PRODUCT AND THE HAZARDS INVOLVED. SUITABLE FOR DAMP LOCATIONS. MIN 90°C SUPPLY CONDUCTORS.

CE PRODUIT DOIT ÊTRE INSTALLÉ SELON LE CODE D'INSTALLATION PERTINENT, PAR UNE PERSONNE QUI CONNAÎT BIEN LE PRODUIT ET SON FONCTIONNEMENT AINSI QUE LES RISQUES INHÉRENTS. CONVIENT AUX EMPLACEMENTS HUMIDE.

LES FILS D'ALIMENTATION 90°C MIN.