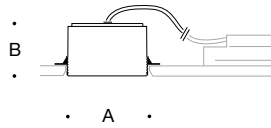


Tools Required:

- T20 Torx driver
- Phillips screw driver
- Flathead screw driver
- Drywall knife



Dimensions

- A:** 4 1/2"
B: 3 5/8"



Overview:

- LED Watts: 8.1W
 System Watts: 12.0W
 Controllability: 0-10V dimming down to 0.1%
 Weight: 0.73 lbs.

Notice to Installer:

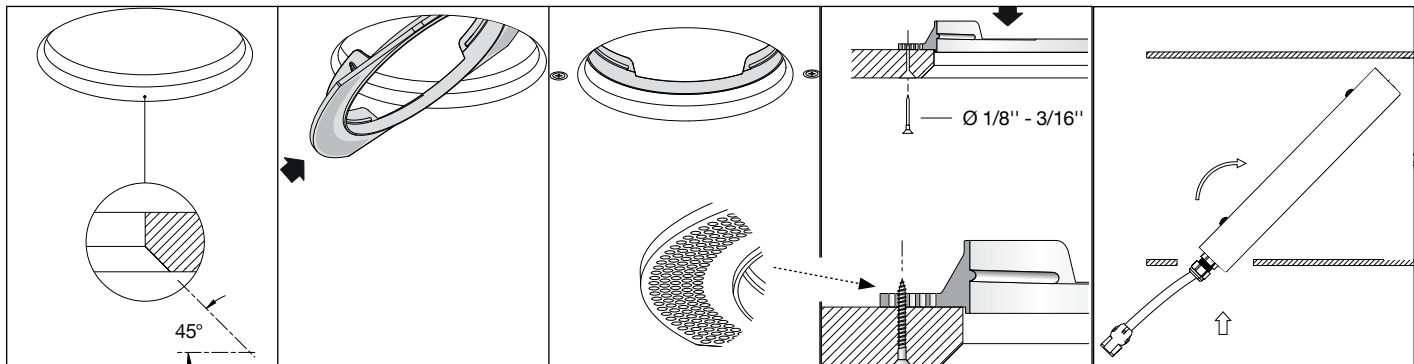
1. Luminaire is non-IC rated, housing must not be installed in heat-insulating material.
2. Luminaire not suitable for poured concrete construction.
3. The included Ceiling Box is required to operate the luminaire.
4. LEDs are high-quality electronic components! Please avoid touching the light output opening of the LED directly during installation or relamping.
5. The recessed housing is secured in the recessed opening by screwing it to the ceiling from below.
6. The lateral clearance between the recessed housing and heat-insulating material must be at least 3".
7. See page 3 for product safety warning

Mounting Details:

1. Cut out: 4 7/8"
2. Ceiling thickness: 1/4" – 1"
3. Plenum clearance: 7" minimum

Installation: Suspended Ceilings:

1. Make the appropriate 4 7/8" cutout in suspended ceiling.
 2. For completely flush installation, the ceiling cutout must have an all-round chamfer of 45°, depending on the thickness of the ceiling panel. [See Figure]
 3. Remove the oval ceiling mounting plate by turning it upwards and rotating it out of the thread on the installation housing, move it through the ceiling cutout and place it on the top of suspended ceiling, above cutout location. [See Figure]
 4. Secure the ceiling mounting plate with [4X] (Ø 1/8" - 3/16") screws (not included) suitable for gypsum plasterboard panels from below through the suspended ceiling. When doing so, hold the mounting plate in place through the ceiling cutout.
 5. Unscrew (2) Torx head screws to open ceiling box.
 6. Bring supply wiring into ceiling box via strain relief bushing and make connections from supply wires to driver wires:
 MAIN VOLTAGE SUPPLY WIRE TO BLACK DRIVER WIRE(S);
 NEUTRAL (COMMON SUPPLY WIRE TO WHITE DRIVER WIRE(S);
 GREEN GROUND WIRE TO GREEN DRIVER WIRE(S).
- Dimming (if applicable):
 DIMMING CONTROL WIRE (+) TO POSITIVE DRIVER DIM CONTROL WIRE
 DIMMING CONTROL WIRE (-) TO NEGATIVE DRIVER DIM CONTROL WIRE
7. Tighten (2) Phillips-head screws on strain relief bushing. Replace and tighten (2) Torx head screws to close ceiling box.
 8. Attach (1) strain relief hooks from ceiling box to back of the luminaire housing.
 9. Push the ceiling box through the ceiling cut-out. The ceiling box will rest on strain relief hook or other ceiling construction material. [See Below Figure]



Accessories

Please refer to the appropriate accessory installation sheet for further instruction when applicable.

CONTINUED ON PAGE 2

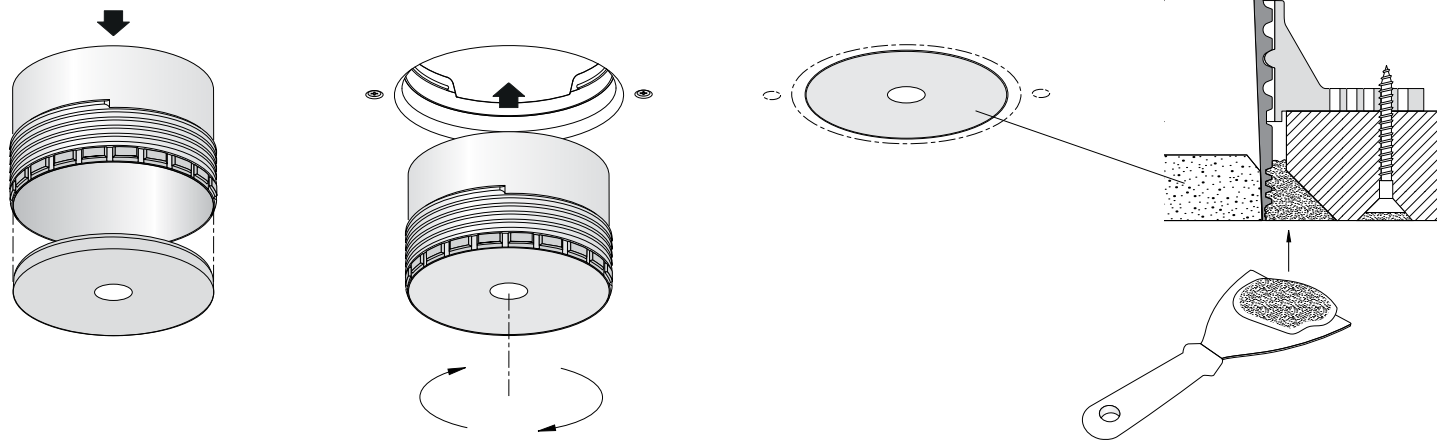
Maintenance:

Clean regularly with solvent-free cleaner removing dirt and debris. Do not use high pressure cleaners.

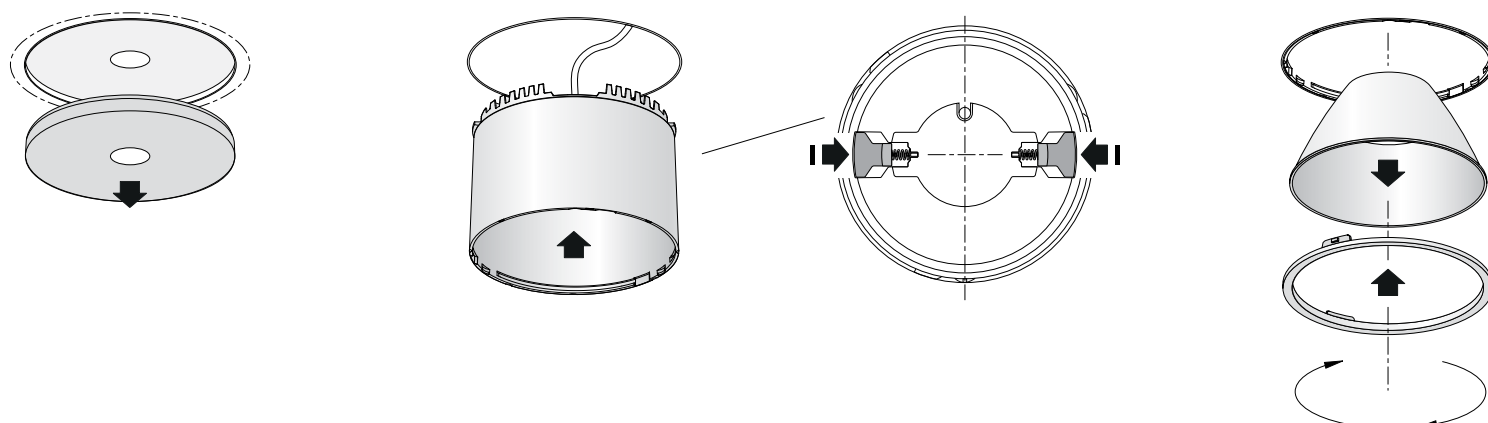
Replacement Parts

See label inside of fixture for LED replacement part number.

Consult factory for all other replacement components.



1. Place the enclosed round recyclable polycarbonate cover plate on plain surface with the chamfer facing upwards. [See Diagram]
2. Position the installation housing above the cover plate and press it in so that it is flush with the surface. [See Diagram]
3. **IMPORTANT: Make sure to use polycarbonate cover plate to guarantee the correct installation of the luminaire in the ceiling!**
4. Turn the installation housing into the thread of the previously fitted ceiling mounting plate until it is exactly flush with the ceiling.
5. Fill the 45° chamfer of the ceiling cutout with standard filler and smooth it so that it is flush.
6. Allow the filler to set completely!



1. Press the polycarbonate cover plate about ¼" upwards into the installation housing and then pull it down carefully to remove it from the installation housing.
2. Connect the quick disconnect connectors between luminaire housing and ceiling box.
3. Press together the two internal fixing sliders on top of the luminaire housing and push the luminaire housing up through the installation housing.
This ensures that the luminaire housing sits securely inside the installation housing.
4. Place the reflector with silicone optic on the white trim with glass lens.
5. Twist the ceiling trim ring with the attached reflector clockwise to secure the assembly inside the luminaire housing.

Product Safety Warnings:

THIS PRODUCT MUST BE INSTALLED IN ACCORDANCE WITH THE APPLICABLE INSTALLATION CODE BY A PERSON FAMILIAR WITH THE CONSTRUCTION AND OPERATION OF THE PRODUCT AND THE HAZARDS INVOLVED. SUITABLE FOR DAMP LOCATIONS. MIN 90°C SUPPLY CONDUCTORS.

CE PRODUIT DOIT ÊTRE INSTALLÉ SELON LE CODE D'INSTALLATION PERTINENT, PAR UNE PERSONNE QUI CONNAÎT BIEN LE PRODUIT ET SON FONCTIONNEMENT AINSI QUE LES RISQUES INHÉRENTS. CONVIENT AUX EMPLACEMENTS HUMIDE.

LES FILS D'ALIMENTATION 90°C MIN.