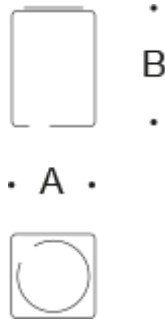


**Tools Required:**

- Phillips medium screwdriver
- Standard medium screwdriver



**Dimensions**

- A: 4-1/8 "
- B: 5-1/2 "



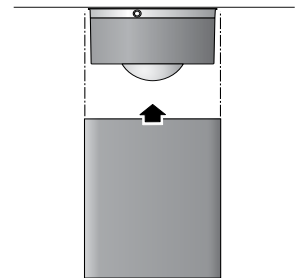
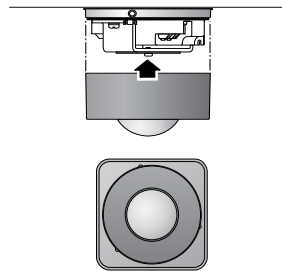
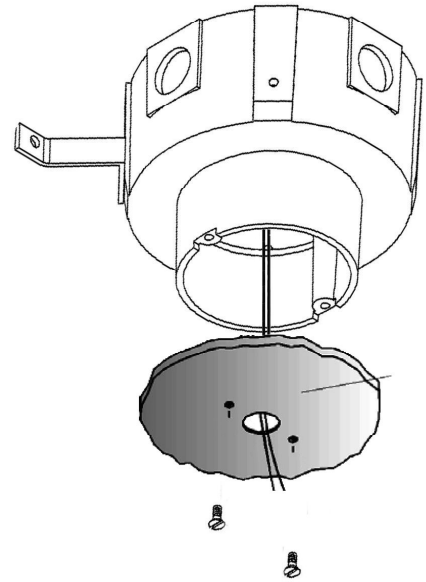
**Weight:** 0.66 lbs.

**Notice to Installer for 50 362:**

1. Rated for damp locations - for interior applications only.
2. Luminaire mounts to recessed BEGA 19 538 wiring box (provided) using mounting strap (provided).
3. See installation sheet 99068 (shipped with wiring box) for details.
4. For ceiling applications only.
5. Select the desired housing material finish by using appropriate code number as suffix:
  - 50 362.2 - Velvet white + aluminum
  - 50 362.4 - Velvet white + brass
  - 50 362.6 - Velvet white + copper

**50 362 installation:**

1. Pull off LED cover from mounting plate.
2. Route wires through luminaire base.
3. Make supply wiring and luminaire wiring connections inside wiring box:
  - MAIN VOLTAGE SUPPLY WIRE TO BLACK LUMINAIRE WIRE
  - NEUTRAL (COMMON) SUPPLY WIRE TO WHITE LUMINAIRE WIRE
  - GREEN GROUND WIRE TO GREEN LUMINAIRE WIRE
- Dimming (if applicable):
  - DIMMING CONTROL WIRE (+) TO POSITIVE DRIVER DIM CONTROL WIRE
  - DIMMING CONTROL WIRE (-) TO NEGATIVE DRIVER DIM CONTROL WIRE
4. Fix mounting plate to recessed wiring box using hardware and mounting strap (provided)
5. Replace LED cover onto mounting plate, will clip in place.
6. Place outer housing over LED cover, push up until it audibly latches into place.



**Relamping/Maintenance**

Clean dirt and deposits from the luminaire and glass using only solvent-free cleaners. No relamping required.

**Accessories**

Please refer to the appropriate accessory installation sheet for further instruction when applicable.

**Replacement Parts**

Description	Part No
Driver (120V-277V)	76023
LED Module (3000K)	LED-0623/830
LED Module (4000K)	LED-0623/840

**Lamp:** 6.3W LED

In the interest of product improvement, BEGA reserves the right to make technical changes without notice.

**Product Safety Warnings:**

**THIS PRODUCT MUST BE INSTALLED IN ACCORDANCE WITH THE APPLICABLE INSTALLATION CODE BY A PERSON FAMILIAR WITH THE CONSTRUCTION AND OPERATION OF THE PRODUCT AND THE HAZARDS INVOLVED. SUITABLE FOR DAMP LOCATIONS.**

**MIN 90°C SUPPLY CONDUCTORS.**

**CE PRODUIT DOIT ÊTRE INSTALLÉ SELON LE CODE D'INSTALLATION PERTINENT, PAR UNE PERSONNE QUI CONNAÎT BIEN LE PRODUIT ET SON FONCTIONNEMENT AINSI QUE LES RISQUES INHÉRENTS. CONVIENT AUX EMPLACEMENTS HUMIDES.**

**LES FILS D'ALIMENTATION 90°C MIN.**

---