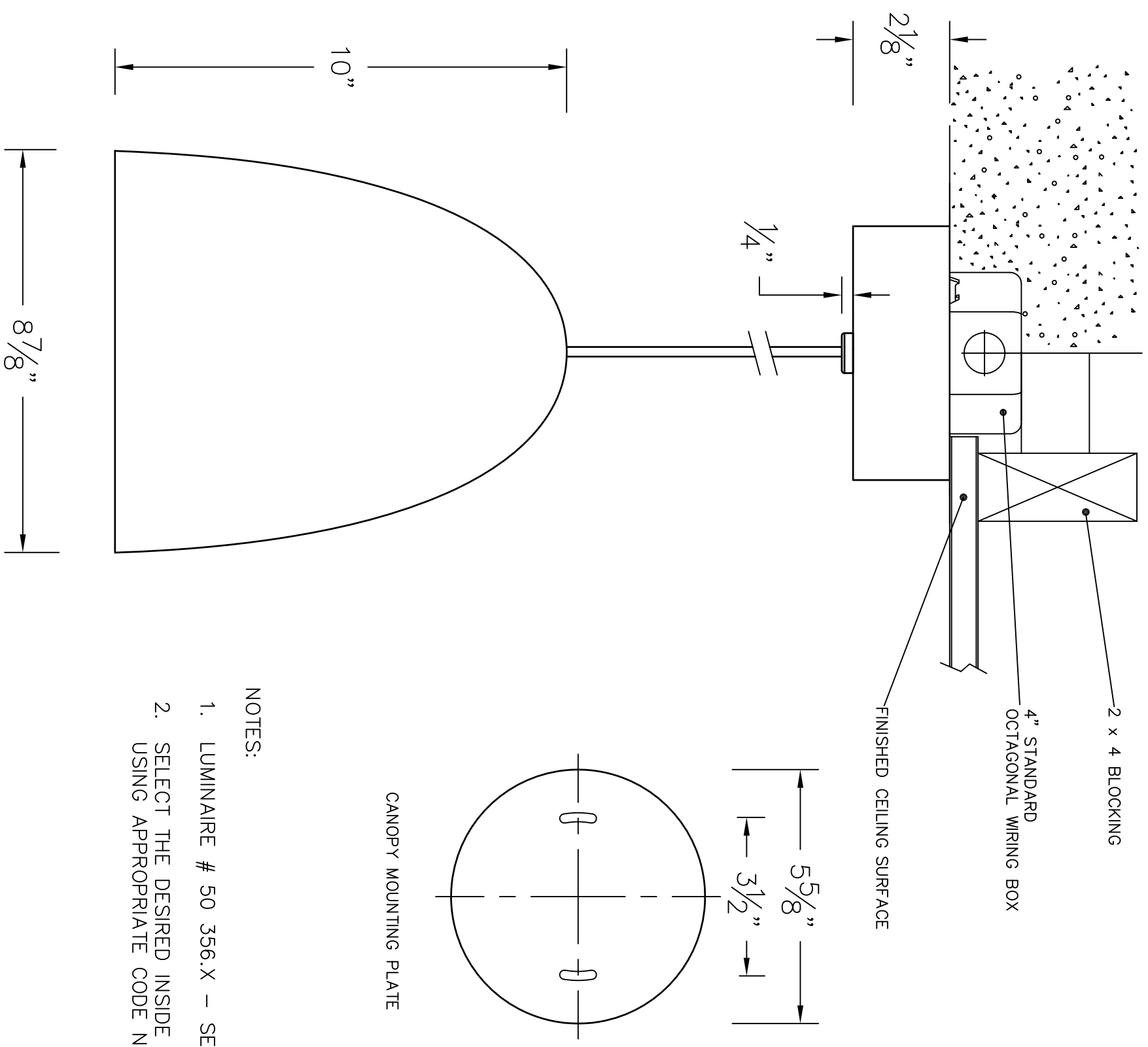


CONCRETE INSTALLATION

HOLLOW WALL INSTALLATION



- NOTES:
1. LUMINAIRE # 50 356.X – SEE SPECIFICATIONS
 2. SELECT THE DESIRED INSIDE MATERIAL FINISH BY USING APPROPRIATE CODE NUMBER AS SUFFIX

TYPE: _____

SUBMITTAL APPROVAL		CAT NO.: <u>LUMINAIRE # 50 356.X</u>	BEGA
		PROJECT: <u>-</u>	
APPROVED BY: _____	DATE: _____	LOCATION: <u>-</u>	
SIGNED: _____	DATE: _____	DRAWN: <u>NF</u> DATE: <u>08/16/17</u> FILE NAME: <u>50356.dxf</u>	1000 Bega Way Carpinteria, Ca. 93013 (805) 684-0533
REV.	DATE	DESCRIPTION	

This print contains confidential information which is the property of BEGA U.S. By acceptance this information, the borrower agrees that it will not be used for any other purpose other than that which is was loaned.