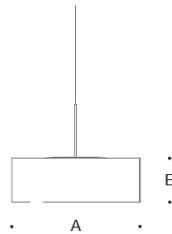


Tools Required:

- Flat head screw driver medium
- Phillips head screw driver medium



Dimensions

- A:** 16-7/8 "
- B:** 5-3/4 "
- OAL:** 79"



Weight: 13.89 lbs.

Notice to Installer for 50 248:

1. See page 2 for specific product safety warnings.
2. Select the desired trim ring or housing material finish by using appropriate code number as suffix.
 - 50 248.2 - Velvet black - matte aluminum
 - 50 248.4 - Velvet black - matte brass
 - 50 248.6 - Velvet black - matte copper
3. Mounts directly to standard recessed 4" octagonal wiring box (by others).
4. LEDs are high-quality electronic components! Please avoid touching the light output opening of the LED directly during installation.

50 248 - installation:

1. Undo set screw on canopy cover and lower canopy cover from canopy baseplate.
 2. Undo two set screws on canopy strain relief, adjust luminaire cable to desired length, and re-tighten two set screws.
 3. Feed driver wires through canopy baseplate.
 4. Make supply wiring and driver wiring connections inside the wiring box (by others):
 - MAIN VOLTAGE SUPPLY WIRE TO BLACK LUMINAIRE WIRE
 - NEUTRAL (COMMON) SUPPLY WIRE TO WHITE LUMINAIRE WIRE
 - GREEN GROUND WIRE TO GREEN LUMINAIRE WIRE
- Dimming (if applicable):**
- DIMMING CONTROL WIRE (+) TO POSITIVE DRIVER DIM CONTROL WIRE
 - DIMMING CONTROL WIRE (-) TO NEGATIVE DRIVER DIM CONTROL WIRE
5. Mount canopy baseplate directly to standard recessed 4" octagonal wiring box (by others).
 6. Move canopy cover up to the ceiling/canopy baseplate and tighten set screw on canopy cover to secure.

50 248 - Cable Shortening:

NOTE: Power cable and steel wire can be shortened on the canopy side ONLY

1. Remove canopy cover
2. Undo two set screws on canopy strain relief and adjust luminaire power cable to desired length.
3. Loosen set screw of steel wire clamp and pull steel wire through to desired length.
4. Fix steel wire by tightening set screw. Secure power cable by re-tightening two set screws on canopy strain relief

Figure 1: Canopy Detail (Generic Image)

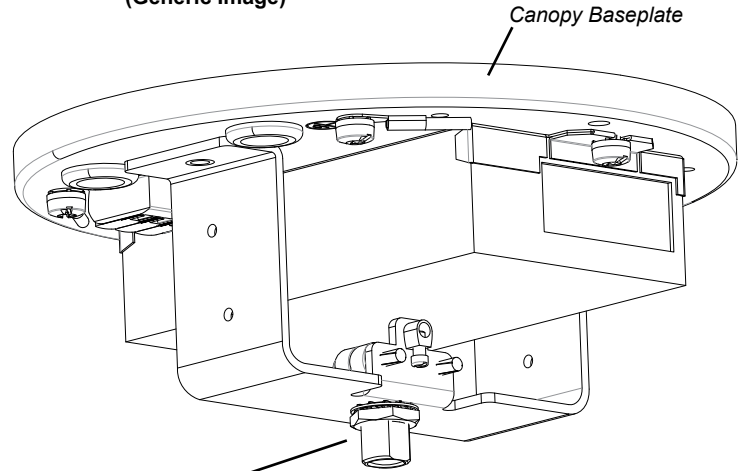
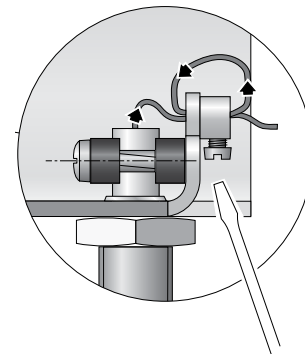


Figure 2: Cable / Wire Shortening (Generic Image)



Relamping/Maintenance

No relamping required.

Accessories

Please refer to the appropriate accessory installation sheet for further instruction when applicable.

Replacement Parts

Description	Part No
Diffuser	113185.0
LED driver (120-277V)	76125-07
LED module (3000K)	LED-0630/930
LED module (4000K)	LED-0630/940

Lamp: 43.6W LED

In the interest of product improvement, BEGA reserves the right to make technical changes without notice.

Product Safety Warnings:

THIS PRODUCT MUST BE INSTALLED IN ACCORDANCE WITH THE APPLICABLE INSTALLATION CODE BY A PERSON FAMILIAR WITH THE CONSTRUCTION AND OPERATION OF THE PRODUCT AND THE HAZARDS INVOLVED. SUITABLE FOR DAMP LOCATIONS.

MIN 90°C SUPPLY CONDUCTORS.

CE PRODUIT DOIT ÊTRE INSTALLÉ SELON LE CODE D'INSTALLATION PERTINENT, PAR UNE PERSONNE QUI CONNAÎT BIEN LE PRODUIT ET SON FONCTIONNEMENT AINSI QUE LES RISQUES INHÉRENTS. CONVIENT AUX EMPLACEMENTS HUMIDES.

LES FILS D'ALIMENTATION 90°C MIN.
