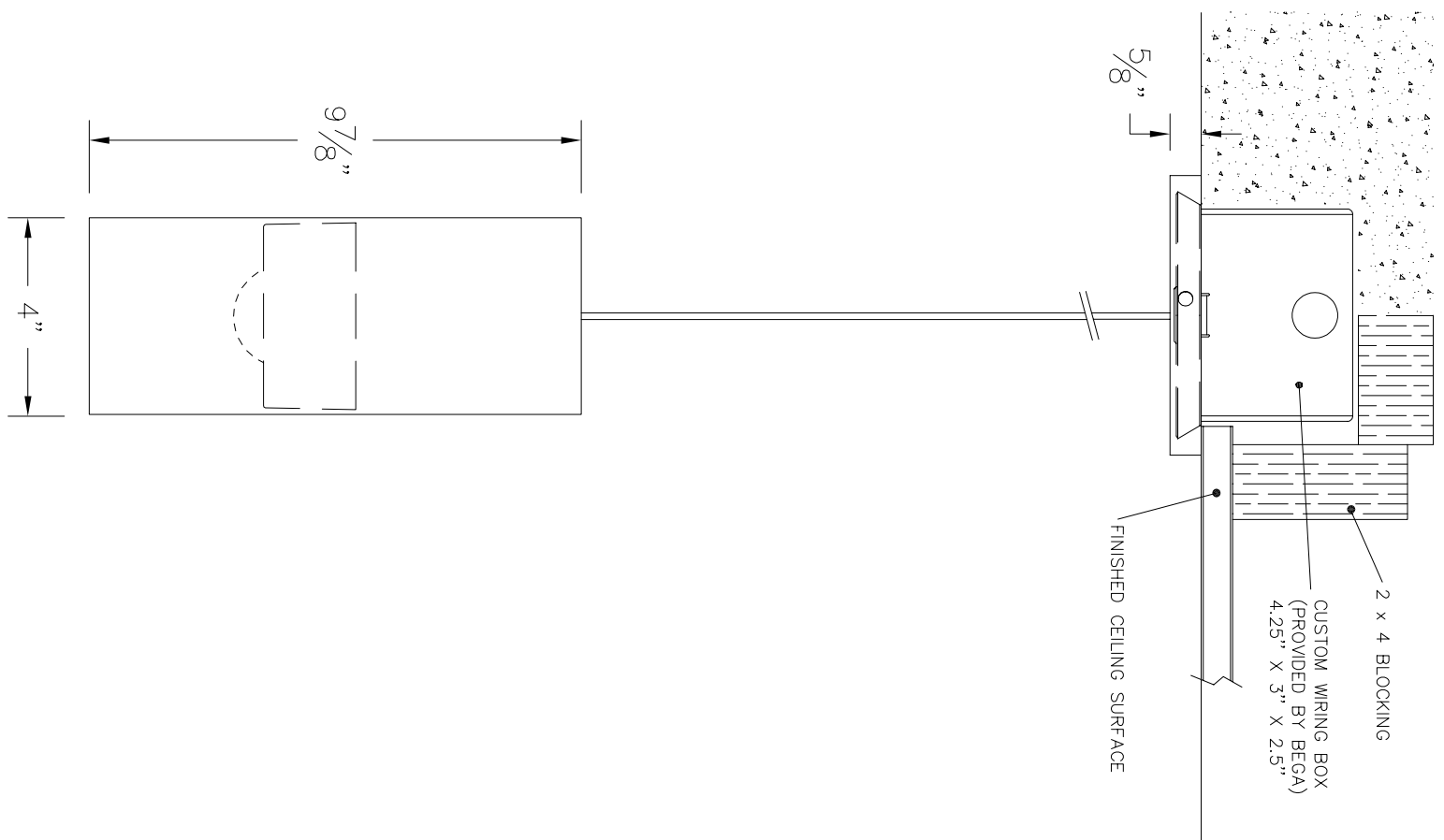


**LOW PROFILE CANOPY**

CONCRETE INSTALLATION HOLLOW WALL INSTALLATION

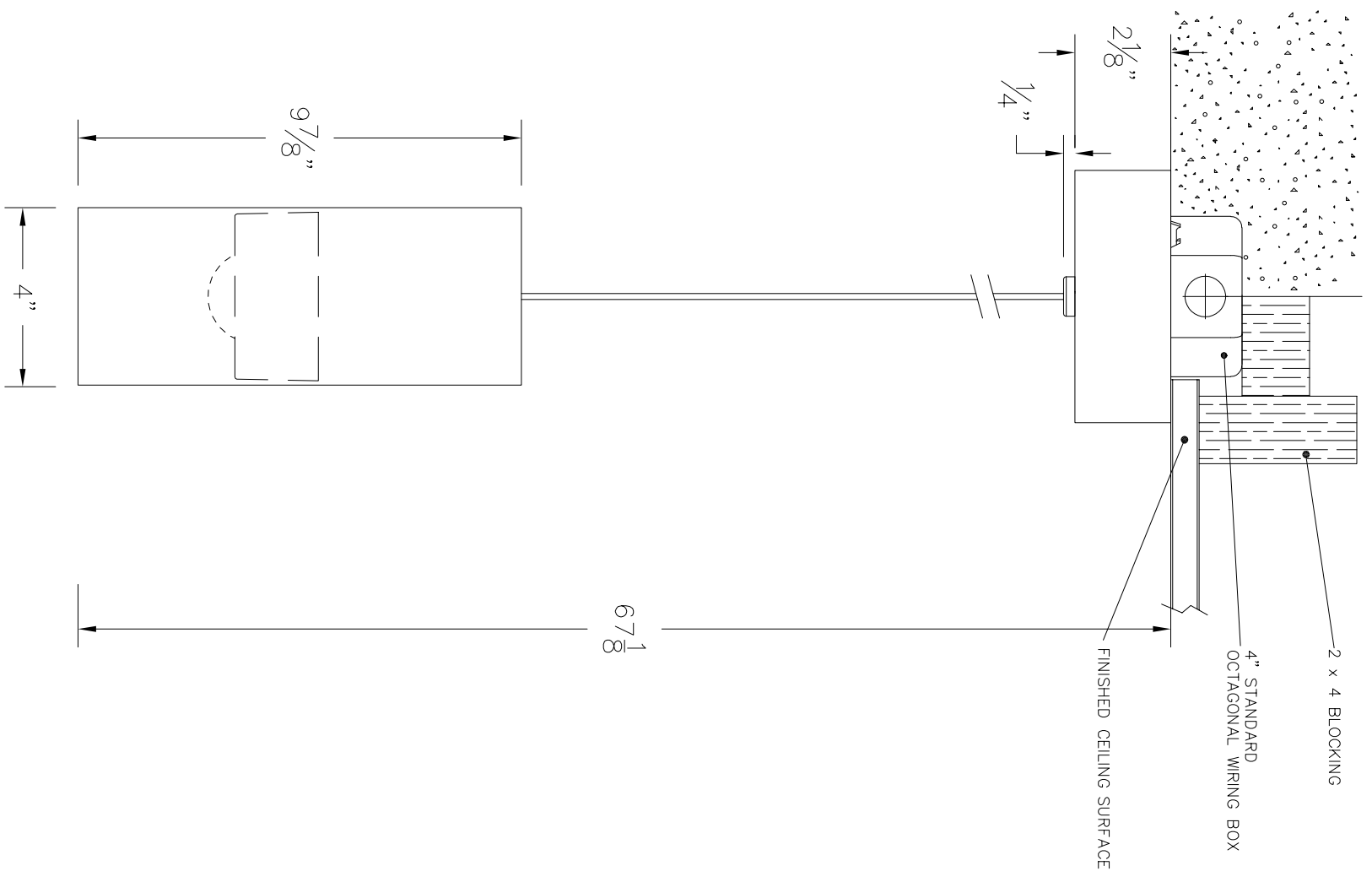


NOTES:

LUMINAIRE # 50 245.X WITH LOW PROFILE CANOPY-  
SEE SPECIFICATIONS

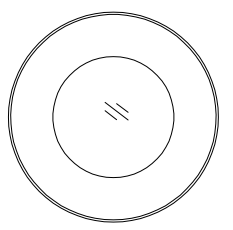
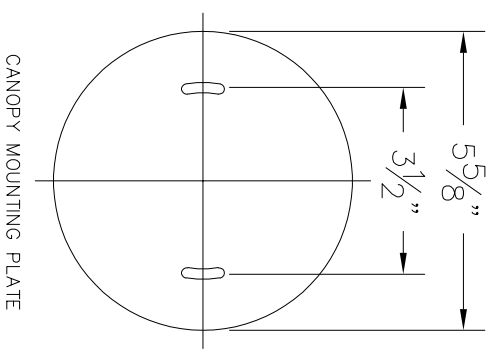
**STANDARD CANOPY**

CONCRETE INSTALLATION HOLLOW WALL INSTALLATION



NOTES:

LUMINAIRE # 50 245.X WITH STANDARD CANOPY-  
SEE SPECIFICATIONS



**TYPE:** \_\_\_\_\_

<p><b>SUBMITTAL APPROVAL</b></p> <p>APPROVED BY: _____</p> <p>SIGNED: _____ DATE: _____</p>			<p>CAT NO.: 50 245.X</p>		<p><b>BEGA</b></p> <p>1000 Bega Way Carpinteria, Ca. 93013 (805) 684-0533</p>
			<p>PROJECT: -</p> <p>LOCATION: -</p>		
REV.	DATE	DESCRIPTION	<p>DRAWN: SB DATE: 9/24/2018 FILE NAME: 50245.dxf</p>		

This print contains confidential information which is the property of BEGA U.S. By acceptance this information, the borrower agrees that it will not be used for any other purpose other than that which it was loaned.