

Tools Required:

- Flat head screw driver medium
- Phillips head screw driver medium

Weight: 2.65 lbs.

**Notice: Instructions for standard installation.
For low profile canopy, see pages 2-3.**



Dimensions

- A:** 4"
- B:** 9-7/8"



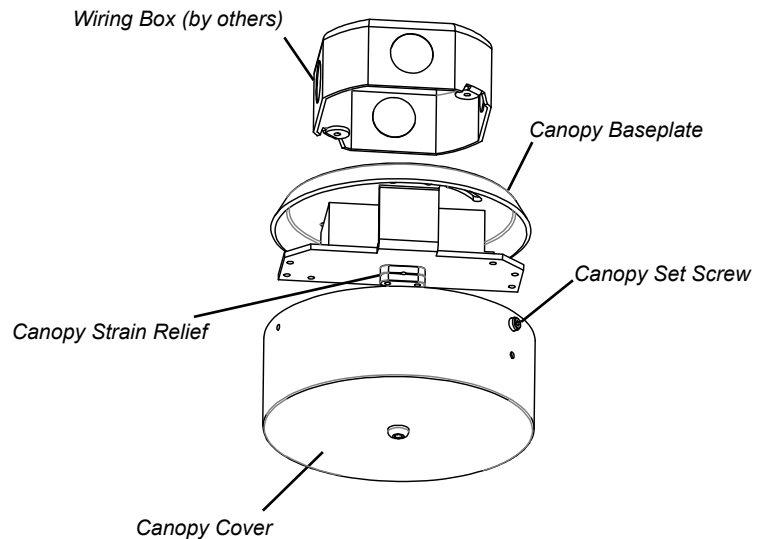
Notice to Installer for 50 245:

1. See page 2 for specific product safety warnings.
2. Select the desired housing material finish by using appropriate code number as suffix.
 - 50 245.2 - Velvet Black - Matte Aluminum
 - 50 245.4 - Velvet Black - Matte Brass
 - 50 245.6 - Velvet Black - Matte Copper
3. Mounts directly to standard recessed 4" octagonal wiring box (by others).
4. LEDs are high-quality electronic components! Please avoid touching the light output opening of the LED directly during installation.

50 245 - installation:

1. Undo set screw on canopy cover and lower canopy cover from canopy baseplate.
2. Undo two set screws on canopy strain relief, adjust luminaire cable to desired length, and re-tighten two set screws.
3. Feed driver wires through canopy baseplate.
4. Make supply wiring and driver wiring connections inside the wiring box (by others):
 - MAIN VOLTAGE SUPPLY WIRE TO BLACK LUMINAIRE WIRE
 - NEUTRAL (COMMON) SUPPLY WIRE TO WHITE LUMINAIRE WIRE
 - GREEN GROUND WIRE TO GREEN LUMINAIRE WIRE
- Dimming (if applicable):**
 - DIMMING CONTROL WIRE (+) TO POSITIVE DRIVER DIM CONTROL WIRE
 - DIMMING CONTROL WIRE (-) TO NEGATIVE DRIVER DIM CONTROL WIRE
5. Mount canopy baseplate directly to standard recessed 4" octagonal wiring box (by others).
6. Move canopy cover up to the ceiling/canopy baseplate and tighten set screw on canopy cover to secure.

Figure 1: Mounting Canopy (Generic Image)



Relamping/Maintenance

Unscrew glass by turning counter-clockwise. Clean glass and luminaire using on solvent-free cleansers. Replace glass.

Accessories

Please refer to the appropriate accessory installation sheet for further instruction when applicable.

Replacement Parts

Description	Part No
LED driver (120-277V)	75983-02
LED module (3000K)	LED-0623/930
LED module (4000K)	LED-0623/940

Lamp: 12.9W LED

In the interest of product improvement, BEGA reserves the right to make technical changes without notice.

Tools Required:

- Flat head screw driver medium
- Phillips head screw driver medium

Weight: 2.65 lbs.

Dimensions

- A:** 4 "
- B:** 9-7/8 "



Low Profile Canopy Installation Methods

79005 - wiring box installation:

Hollow (stud) ceiling construction - Secure wiring box to wood or metal blocking. Connect conduit to wiring box (if needed) and pull wires for electrical connections to be made later.

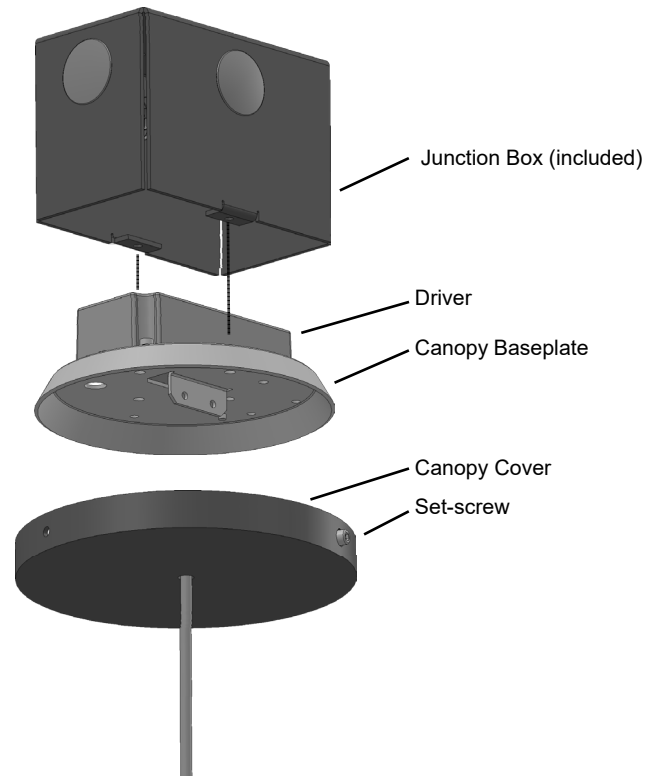
Poured concrete construction - Attach wiring box to concrete form. Connect conduit to wiring box and pull wires for electrical connections to be made later. Pour concrete and remove form.

IMPORTANT: Do not pour concrete directly on to box!

50 245 w/Low Profile Canopy - installation:

1. Undo set screw on canopy cover and lower from canopy baseplate.
2. Undo two set screws on canopy strain relief, adjust luminaire cable to desired length, and re-tighten two set screws.
3. Make supply wiring and driver wiring connections inside the wiring box:
 MAIN VOLTAGE SUPPLY WIRE TO BLACK LUMINAIRE WIRE
 NEUTRAL (COMMON) SUPPLY WIRE TO WHITE LUMINAIRE WIRE
 GREEN GROUND WIRE TO GREEN LUMINAIRE WIRE
- Dimming (if applicable):**
 DIMMING CONTROL WIRE (+) TO POSITIVE DRIVER DIM CONTROL WIRE
 DIMMING CONTROL WIRE (-) TO NEGATIVE DRIVER DIM CONTROL WIRE
4. Mount canopy baseplate directly to wiring box 79005 using hardware (provided).
5. Move canopy cover up to the canopy baseplate and tighten set screw to secure.

Figure 1: Mounting Canopy (Generic Image)



Relamping/Maintenance

No relamping required.

Accessories

Please refer to the appropriate accessory installation sheet for further instruction when applicable.

Replacement Parts

<u>Description</u>	<u>Part No</u>
LED driver (120-277V)	76059
LED module (3000K)	LED-0623/930
LED module (4000K)	LED-0623/940

Lamp: 12.9W LED

In the interest of product improvement, BEGA reserves the right to make technical changes without notice.

Product Safety Warnings:

THIS PRODUCT MUST BE INSTALLED IN ACCORDANCE WITH THE APPLICABLE INSTALLATION CODE BY A PERSON FAMILIAR WITH THE CONSTRUCTION AND OPERATION OF THE PRODUCT AND THE HAZARDS INVOLVED. SUITABLE FOR DAMP LOCATIONS.

MIN 90°C SUPPLY CONDUCTORS.

CE PRODUIT DOIT ÊTRE INSTALLÉ SELON LE CODE D'INSTALLATION PERTINENT, PAR UNE PERSONNE QUI CONNAÎT BIEN LE PRODUIT ET SON FONCTIONNEMENT AINSI QUE LES RISQUES INHÉRENTS. CONVIENT AUX EMPLACEMENTS HUMIDES.

LES FILS D'ALIMENTATION 90°C MIN.
