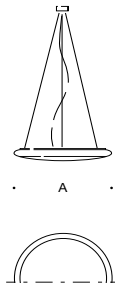


**Tools Required:**

**Overview:**

LED Watts: 123.2W  
 System Watts: 147.0W  
 Controllability: DALI-2  
 Weight: 73.9 lbs.



**Dimensions**

**A:** 51-1/8"  
**B:** 6-3/8"  
**C:** 157-1/2"



**Notice to Installer:**

1. See page 2 for specific product safety warnings.
2. Mounts directly onto standard recessed 4" octagonal wiring box (by others).
3. LEDs are high-quality electronic components! Please avoid touching the light output opening of the LED directly during installation.
4. In order to avoid deformation under its own weight, do not place luminaire on its domed synthetic cover outside the package!
5. The luminaire may only be subjected to load when it is at rest - the steel wires are not suitable for any kind of moving dynamic load!

**Installation: Pendant**

1. Loosen fixing nut of the canopy and remove mounting plate from canopy. [Figure 1]
2. Steel safety wire fixed to the back of the mounting plate must be firmly secured to suitable structural building component. [Figure 2]
3. Lead mains supply cable into 4" octagonal wiring box.
4. Make connections from luminaire electrical cable to supply wiring:  
 MAIN VOLTAGE SUPPLY WIRE TO BLACK DRIVER WIRE(S);  
 NEUTRAL (COMMON SUPPLY WIRE TO WHITE DRIVER WIRE(S);  
 GREEN GROUND WIRE TO GREEN DRIVER WIRE(S).  
 DALI Control wiring:  
 CONTROL WIRE (+) TO POSITIVE DRIVER DALI CONTROL WIRE  
 CONTROL WIRE (-) TO NEGATIVE DRIVER DALI CONTROL WIRE
5. Attach mounting plate with other suitable fixing material to the ceiling.
6. Hook the ends of the 4 steel wires into the recesses of the mounting plate. [Figure 3]
7. Push the canopy onto the ceiling and screw tight to the mounting plate with the locking nut.

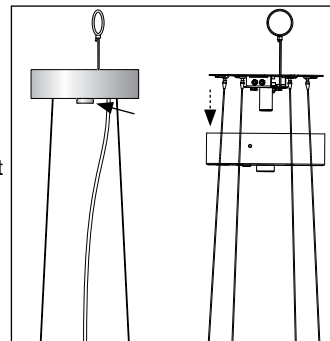


Figure 1: Canopy Cover Removal

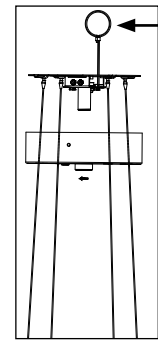


Figure 2: Security Cable

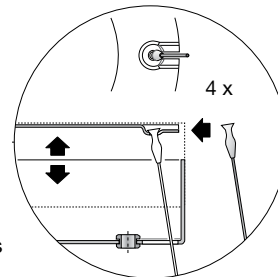


Figure 3: Steel Suspension Cables

**Installation: Cable Shortening**

1. Electrical cabling must be shortened on the canopy end. The steel suspension cables must only be shortened at the pendant end.
2. If steel cable needs to be cut, the end will need to be soldered in order to be reinserted into grip-lock connector.
3. Disconnect the luminaire from supply power.
4. Push steel cable into the steel ball located at the pendant side of the luminaire. [Figure 4]
5. Steel cable requires at least 4" to secure properly into steel ball. Please consider these 4" if cutting the cable to the required length.

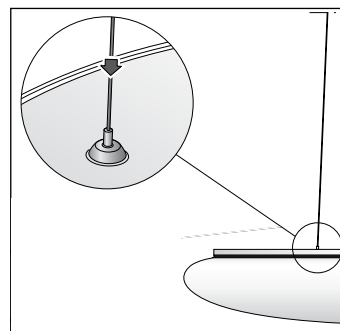


Figure 4: Cable Shortening

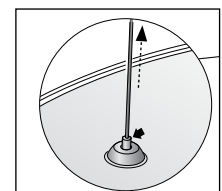


Figure 5: Cable Extension

**WARNING:**

FAILURE TO FOLLOW THESE INSTALLATION INSTRUCTIONS CAN CAUSE FIXTURE TO FAIL. DO NOT REMOVE OR TAMPER WITH SAFETY HARDWARE ON FIXTURE SIDE.

**Accessories**

Please refer to the appropriate accessory installation sheet for further instruction when applicable.

**Maintenance:**

Clean regularly with solvent-free cleaner removing dirt and debris. Do not use high pressure cleaners.

**Replacement Parts**

See label inside of fixture for LED replacement part number.

Consult factory for all other replacement components.

**Product Safety Warnings:**

**THIS PRODUCT MUST BE INSTALLED IN ACCORDANCE WITH THE APPLICABLE INSTALLATION CODE BY A PERSON FAMILIAR WITH THE CONSTRUCTION AND OPERATION OF THE PRODUCT AND THE HAZARDS INVOLVED. SUITABLE FOR DAMP LOCATIONS. MIN 90°C SUPPLY CONDUCTORS.**

**CE PRODUIT DOIT ÊTRE INSTALLÉ SELON LE CODE D'INSTALLATION PERTINENT, PAR UNE PERSONNE QUI CONNAÎT BIEN LE PRODUIT ET SON FONCTIONNEMENT AINSI QUE LES RISQUES INHÉRENTS. CONVIENT AUX EMPLACEMENTS HUMIDES.**

**LES FILS D'ALIMENTATION 90°C MIN.**