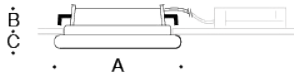


Tools Required:

- Torx T20 screwdriver
- Medium Phillips screwdriver



Dimensions

- A:** 14-7/8"
- B:** 2-3/8"
- C:** 1-1/2"



Overview:

- LED Watts: 28.1W
- System Watts: 33.0W
- Controllability: DALI-2 controlled
- Weight: 1.8 lbs.

Notice to Installer:

1. See page 3 for specific product safety warnings.
2. Luminaire not suitable for poured concrete construction.
3. Luminaire is non-IC rated. Insulation must be at least 3" from luminaire housing.
4. Minimum ceiling clearance is 7" to fit ceiling box.
5. Ceiling thickness must be between 1/4" and 3/4".
6. Ceiling cut out is 12 13/16"
7. Ceiling box with driver included (Figure 1)

Ceiling Box (Ceiling) Installation:

1. Fixture is connected to Ceiling Box via quick-disconnect. Disconnect fixture and Ceiling Box, and remove glass diffuser by turning diffuser counter-clockwise.
2. Press down spring tab to release the cover of the Ceiling Box.
3. Bring supply wiring into ceiling box via 7/8" diameter conduit entry points located on the Ceiling Box.
 MAIN VOLTAGE SUPPLY WIRE TO BLACK DRIVER WIRE(S);
 NEUTRAL (COMMON SUPPLY WIRE TO WHITE DRIVER WIRE(S);
 GREEN GROUND WIRE TO GREEN DRIVER WIRE(S).
 Dimming (if applicable):
 DIMMING CONTROL WIRE (+) TO POSITIVE DRIVER DIM CONTROL WIRE
 DIMMING CONTROL WIRE (-) TO NEGATIVE DRIVER DIM CONTROL WIRE
4. Place & latch the Ceiling Box cover back into place.
5. Push the ceiling box through the ceiling cut-out. The ceiling box will rest on ceiling panels or other ceiling construction material.
6. See page 2 for luminaire installation.

Ceiling Box (Wall) Installation:

1. Follow steps 1-4 of ceiling installation.
2. Place Ceiling box into cutout in wall.
3. Ceiling Box will be provided with mounting tabs to mount Ceiling Box to form work within wall. (Mounting hardware provided by others)
4. See page 2 for luminaire installation.

Note: Minimum ceiling clearance of 7" is required to fit ceiling box.

Figure 1: Ceilingbox Installation (Generic Image)

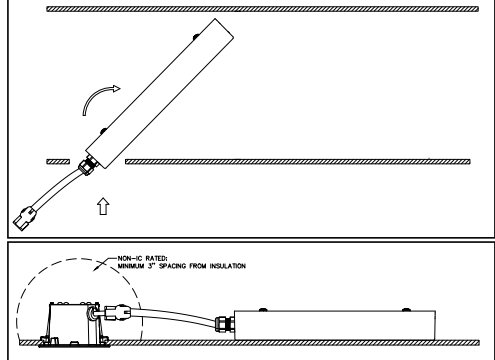


Figure 2: Glass Removal

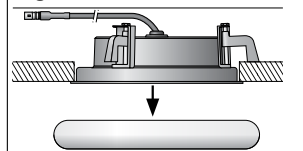
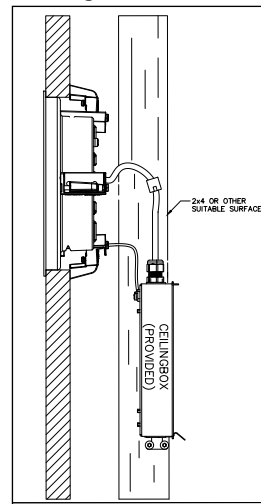


Figure 3: Ceilingbox Wall Installation (Generic Image)



Accessories

Please refer to the appropriate accessory installation sheet for further instruction when applicable.

Maintenance:

Clean regularly with solvent-free cleaner removing dirt and debris. Do not use high pressure cleaners.

Replacement Parts

See label inside of fixture for LED replacement part number.

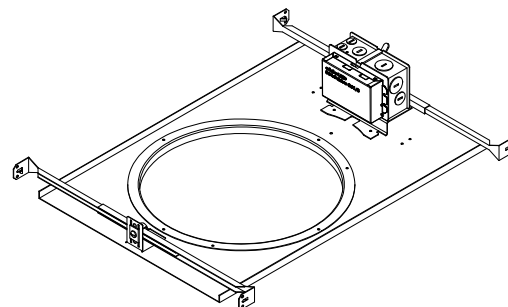
Consult factory for all other replacement components.

Tools Required:

- Torx T20 screwdriver
- Medium Phillips screwdriver

Overview: Ceiling Pan

Rating: Non-IC
 Ceiling Thickness: 1/2" Min - 3/4" Max
 Min Ceiling Clearance: 4 5/8"
 Ceiling Cutout 12 13/16"
 Driver Location: Ceiling Pan
 Controllability: DALI-2 controlled



Optional Ceiling Pan:

Notice to Installer:

1. See page 3 for specific product safety warnings.
2. Luminaire is non-IC rated. Insulation must be at least 3" from luminaire housing.
3. Minimum ceiling clearance is 4 5/8".
4. Ceiling thickness must be between 1/2" and 3/4".
5. Ceiling cut out is 12-13/16
6. Driver (included) located on ceiling pan
7. LEDs are high-quality electronic components! Please avoid touching LED directly during installation.
8. BEGA Tunable White luminaires require commissioning by a professional familiar with DALI-2 controls for proper operation.

Installation: Suspended ceiling

1. Attach ceiling pan to T-bar using (4) (included) snap-on brackets.
2. Level rough-in kit so bottom of pan will sit on top of ceiling material.
3. Bring supply wiring in to junction box and make connections from supply wires to driver wires:
 MAIN VOLTAGE SUPPLY WIRE TO BLACK DRIVER WIRE(S);
 NEUTRAL (COMMON SUPPLY WIRE TO WHITE DRIVER WIRE(S);
 GREEN GROUND WIRE TO GREEN DRIVER WIRE(S).
- Dimming (if applicable):
 DIMMING CONTROL WIRE (+) TO POSITIVE DRIVER DIM CONTROL WIRE
 DIMMING CONTROL WIRE (-) TO NEGATIVE DRIVER DIM CONTROL WIRE

50 204 Installation:

1. Connect quick-disconnect and tethered aircraft cable between the ceiling box and luminaire housing.
2. Push rough-in housing into opening in ceiling/wall. Rough-in housing is held into place with (3) wedge-shaped claws . If ceiling/wall is less than 1/4" thick, reinforcement must be used to allow claws to engage with back side of ceiling surface.
3. Evenly tighten T20 TORX head screws to engage wedge-shaped claws.
4. Screw glass with gasket into the luminaire housing, ensuring gasket is seated evenly.

Accessories

Please refer to the appropriate accessory installation sheet for further instruction when applicable.

Maintenance:

Clean regularly with solvent-free cleaner removing dirt and debris. Do not use high pressure cleaners.

Replacement Parts

See label inside of fixture for LED replacement part number.

Consult factory for all other replacement components.

Product Safety Warnings:

THIS PRODUCT MUST BE INSTALLED IN ACCORDANCE WITH THE APPLICABLE INSTALLATION CODE BY A PERSON FAMILIAR WITH THE CONSTRUCTION AND OPERATION OF THE PRODUCT AND THE HAZARDS INVOLVED. SUITABLE FOR DAMP LOCATIONS. MIN 90°C SUPPLY CONDUCTORS.

CE PRODUIT DOIT ÊTRE INSTALLÉ SELON LE CODE D'INSTALLATION PERTINENT, PAR UNE PERSONNE QUI CONNAÎT BIEN LE PRODUIT ET SON FONCTIONNEMENT AINSI QUE LES RISQUES INHÉRENTS. CONVIENT AUX EMPLACEMENTS HUMIDES.

LES FILS D'ALIMENTATION 90°C MIN.