

**Tools Required:**

- Phillips medium screwdriver
- Standard medium screwdriver



**Dimensions**

- A: 4-1/8 "
- B: 5-1/2 "



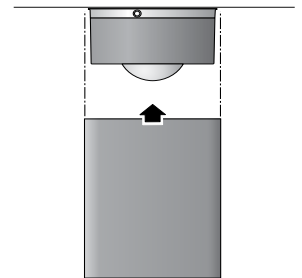
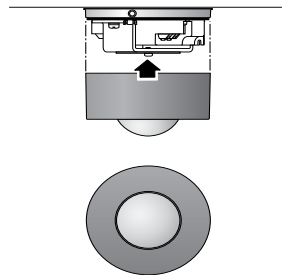
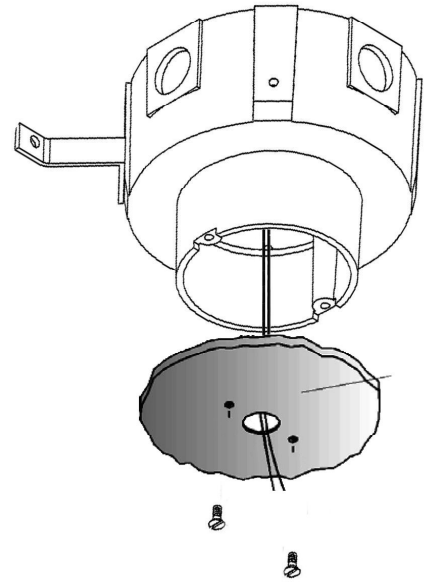
**Weight:** 0.66 lbs.

**Notice to Installer for 50 185:**

- Rated for damp locations - for interior applications only.
- Luminaire mounts to recessed BEGA 19 538 wiring box (provided) using mounting strap (provided).
- See installation sheet 99068 (shipped with wiring box) for details.
- For ceiling applications only.
- Select the desired housing material finish by using appropriate code number as suffix:
  - 50 185.2 - Velvet black + aluminum
  - 50 185.4 - Velvet black + brass
  - 50 185.6 - Velvet black + copper

**50 185 installation:**

- Pull off LED cover from mounting plate.
- Route wires through luminaire base.
- Make supply wiring and luminaire wiring connections inside wiring box:
  - MAIN VOLTAGE SUPPLY WIRE TO BLACK LUMINAIRE WIRE
  - NEUTRAL (COMMON) SUPPLY WIRE TO WHITE LUMINAIRE WIRE
  - GREEN GROUND WIRE TO GREEN LUMINAIRE WIRE
- Dimming (if applicable):
  - DIMMING CONTROL WIRE (+) TO POSITIVE DRIVER DIM CONTROL WIRE
  - DIMMING CONTROL WIRE (-) TO NEGATIVE DRIVER DIM CONTROL WIRE
- Fix mounting plate to recessed wiring box using hardware and mounting strap (provided)
- Replace LED cover onto mounting plate, will clip in place.
- Place outer housing over LED cover, push up until it audibly latches into place.



**Relamping/Maintenance**

Clean dirt and deposits from the luminaire and glass using only solvent-free cleaners. No relamping required.

**Accessories**

Please refer to the appropriate accessory installation sheet for further instruction when applicable.

**Replacement Parts**

Description	Part No
Driver (120V-277V)	76023
LED Module (3000K)	LED-0623/830
LED Module (4000K)	LED-0623/840

**Lamp:** 6.3W LED

**Product Safety Warnings:**

**THIS PRODUCT MUST BE INSTALLED IN ACCORDANCE WITH THE APPLICABLE INSTALLATION CODE BY A PERSON FAMILIAR WITH THE CONSTRUCTION AND OPERATION OF THE PRODUCT AND THE HAZARDS INVOLVED. SUITABLE FOR DAMP LOCATIONS.**

**MIN 90°C SUPPLY CONDUCTORS.**

**CE PRODUIT DOIT ÊTRE INSTALLÉ SELON LE CODE D'INSTALLATION PERTINENT, PAR UNE PERSONNE QUI CONNAÎT BIEN LE PRODUIT ET SON FONCTIONNEMENT AINSI QUE LES RISQUES INHÉRENTS. CONVIENT AUX EMPLACEMENTS HUMIDES.**

**LES FILS D'ALIMENTATION 90°C MIN.**

---