

**Tools Required:**

- Hex key
- Philips medium screwdriver

**Weight:** 6.61 lbs.



**Dimensions**

- A:** 4"
- B:** 24"
- C:** 5-3/8"



**Notice to Installer for 50 084.1:**

1. See page 2 for specific product safety warnings.
2. For wall applications only.
3. For attachment to wall over separate small opening linear wiring box (19 537 provided by BEGA).
4. NOTE: LEDs are high-quality electronic components! Please avoid touching them directly during installation.

**NOTE:** Provide a minimum distance of 24" clearance above luminaire for relamping and maintenance.

**50 084.1- 19 537 wiring box installation:**

**Hollow (stud) wall construction** - Secure wiring box to wood or metal horizontal blocking as shown in the submittal drawings. Connect conduit to wiring box (if needed) and pull wires for electrical drawings to be made later.

**Poured concrete construction** - Attach wiring box to the concrete form. Connect conduit to wiring box (if needed) and pull wires for electrical connections to be made later. Pour concrete and remove form.

**IMPORTANT: Do not pour concrete directly on to box!**

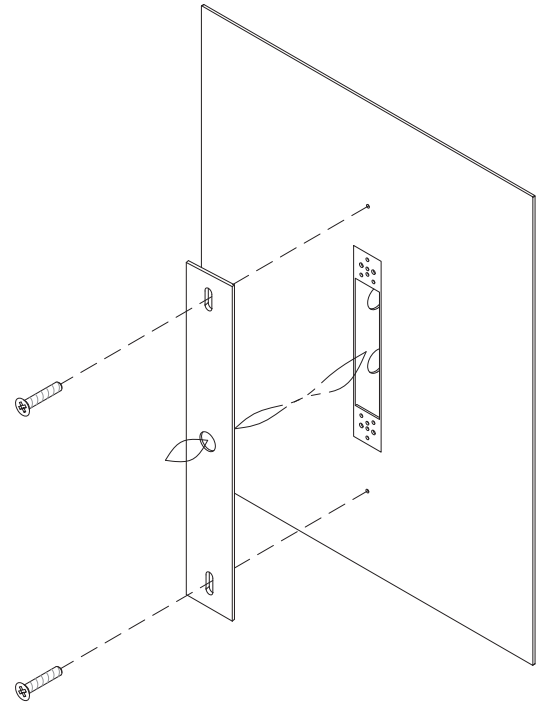
**50 084.1 - installation:**

1. Unscrew knob inside top opening of glass lens and slide lens upward to remove from luminaire base.
2. Feed connector supply wiring through luminaire base.
3. Make supply wiring connections inside the linear wiring box:  
 MAIN VOLTAGE SUPPLY WIRE TO BLACK LUMINAIRE WIRE  
 NEUTRAL (COMMON) SUPPLY WIRE TO WHITE LUMINAIRE WIRE  
 GREEN GROUND WIRE TO GREEN LUMINAIRE WIRE.

**Dimming (if applicable):**

- DIMMING CONTROL WIRE (+) TO POSITIVE DRIVER DIM CONTROL WIRE
  - DIMMING CONTROL WIRE (-) TO NEGATIVE DRIVER DIM CONTROL WIRE
4. Attach the luminaire base directly to the wall using appropriate hardware (by others).
  5. Replace lens and secure knob.

**Figure 1**



**Relamping/Maintenance**

Unscrew knob to remove lens from luminaire base. Clean glass and luminaire using only solvent-free cleansers. Replace lens.

**Accessories**

Please refer to the appropriate accessory installation sheet for further instruction when applicable.

Linear Wiring Box      19 537

**Replacement Parts**

Description	Part No
Glass	113228.1
LED driver (120-277V)	75969-04
LED module (3000K)	
(x2)	LED-0626/830
(x2)	LED-0627/830
LED module (4000K)	
(x2)	LED-0626/840
(x2)	LED-0627/840

**Lamp:** 30W LED Module

In the interest of product improvement, BEGA reserves the right to make technical changes without notice.

Product Safety Warnings:

**THIS PRODUCT MUST BE INSTALLED IN ACCORDANCE WITH THE APPLICABLE INSTALLATION CODE BY A PERSON FAMILIAR WITH THE CONSTRUCTION AND OPERATION OF THE PRODUCT AND THE HAZARDS INVOLVED. SUITABLE FOR DAMP LOCATIONS.**

**MIN 90°C SUPPLY CONDUCTORS.**

**CE PRODUIT DOIT ÊTRE INSTALLÉ SELON LE CODE D'INSTALLATION PERTINENT, PAR UNE PERSONNE QUI CONNAÎT BIEN LE PRODUIT ET SON FONCTIONNEMENT AINSI QUE LES RISQUES INHÉRENTS. CONVIENT AUX EMPLACEMENTS HUMIDES.**

**LES FILS D'ALIMENTATION 90°C MIN.**