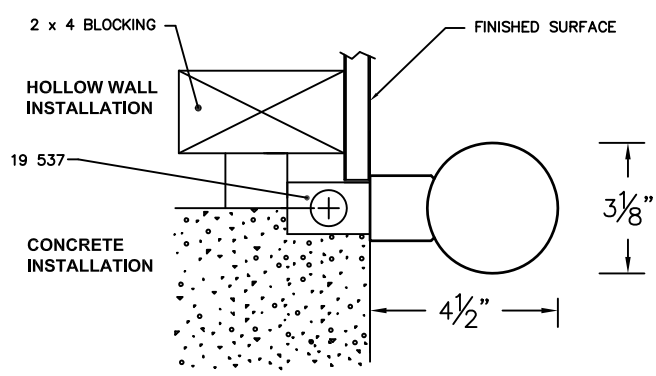


19537 NARROW OPENING WIRING BOX, REF.



NOTES:
LUMINAIRE # 50 070.X - SEE SPECIFICATIONS

TYPE: _____

| | | | | | | |
|---------------------------|------|-------------|--|-------------|--|------------|
| SUBMITTAL APPROVAL | | | CAT NO.: <u>50 070.X</u> | | BEGA 1000 Bega Way Carpinteria, Ca. 93013 (805) 684-0533 | |
| | | | APPROVED BY: _____ | | | PROJECT: - |
| SIGNED: _____ | | DATE: _____ | | LOCATION: - | | |
| REV. | DATE | DESCRIPTION | DRAWN: <u>RA</u> DATE: <u>12/12/2016</u> FILE NAME: <u>50070.dxf</u> | | | |

This print contains confidential information which is the property of BEGA U.S. By acceptance this information, the borrower agrees that it will not be used for any other purpose other than that which is was loaned.