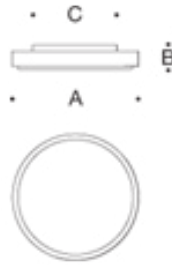


**Tools Required:**

- Phillips medium screwdriver
- Standard medium screwdriver



**Dimensions**

- A:** 16-1/2"
- B:** 3-3/8"
- C:** 11-3/4"



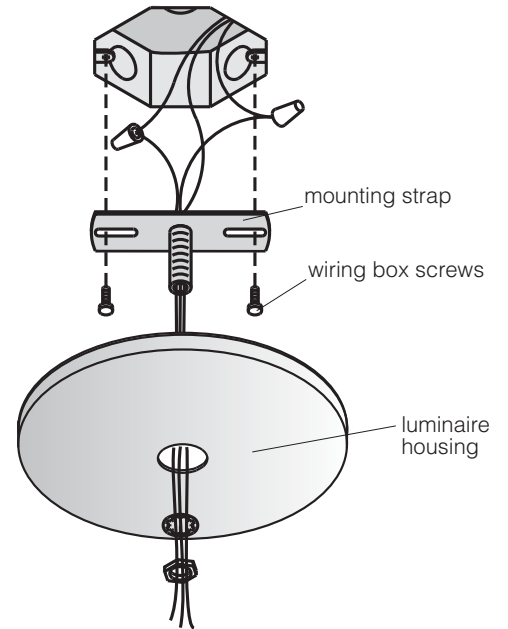
**Weight:** 9.5 lbs.

**Notice to Installer for 34 279:**

1. Rated for damp locations - for interior applications only.
2. Select the desired trim ring or housing material finish by using appropriate code number as suffix:  
 34 279.1 - Brilliant White  
 34 279.2 - Silver
3. Luminaire mounting canopy mounts directly to standard 4" octagonal wiring box (by others) using mounting kit (provided)
4. LEDs are high quality electronic components! Please avoid touching the light output opening of the LED directly during installation.

**34 279 installation:**

1. Route wires through luminaire base, IP nipple, and center hole in mounting strap.
2. Make supply wiring and luminaire wiring connections inside wiring box:  
 MAIN VOLTAGE SUPPLY WIRE TO BLACK LUMINAIRE WIRE  
 NEUTRAL (COMMON) SUPPLY WIRE TO WHITE LUMINAIRE WIRE  
 GREEN GROUND WIRE TO GREEN LUMINAIRE WIRE
- Dimming (if applicable):  
 DIMMING CONTROL WIRE (+) TO POSITIVE DRIVER DIM CONTROL WIRE  
 DIMMING CONTROL WIRE (-) TO NEGATIVE DRIVER DIM CONTROL WIRE
3. Attach mounting strap to wiring box using outlet box screws (by others)
4. Attach 1/4" nipple to mounting strap (provided) and place luminaire over and use lockwasher and nut (provided) to secure luminaire.
5. Insert opal glass by screwing in clockwise.



**Relamping/Maintenance**

Remove lens. Clean luminaire and lens using only solvent-free cleansers. No relamping required.

**Accessories**

Please refer to the appropriate accessory installation sheet for further instruction when applicable.

**Replacement Parts**

Description	Part No
LED Module (3000K)	LED-0570/930
LED Module (4000K)	LED-0570/940
Driver (120V-277V)	75985-08
Lens (Opal Glass)	112771.0
Lens (Plastic)	150364

**Lamp:** 25.9W LED

**Product Safety Warnings:**

**THIS PRODUCT MUST BE INSTALLED IN ACCORDANCE WITH THE APPLICABLE INSTALLATION CODE BY A PERSON FAMILIAR WITH THE CONSTRUCTION AND OPERATION OF THE PRODUCT AND THE HAZARDS INVOLVED. SUITABLE FOR DAMP LOCATIONS.**

**MIN 90°C SUPPLY CONDUCTORS.**

**CE PRODUIT DOIT ÊTRE INSTALLÉ SELON LE CODE D'INSTALLATION PERTINENT, PAR UNE PERSONNE QUI CONNAÎT BIEN LE PRODUIT ET SON FONCTIONNEMENT AINSI QUE LES RISQUES INHÉRENTS. CONVIENT AUX EMPLACEMENTS HUMIDES.**

**LES FILS D'ALIMENTATION 90°C MIN.**

---