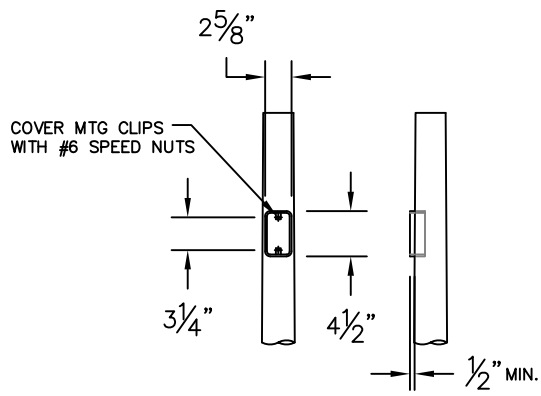


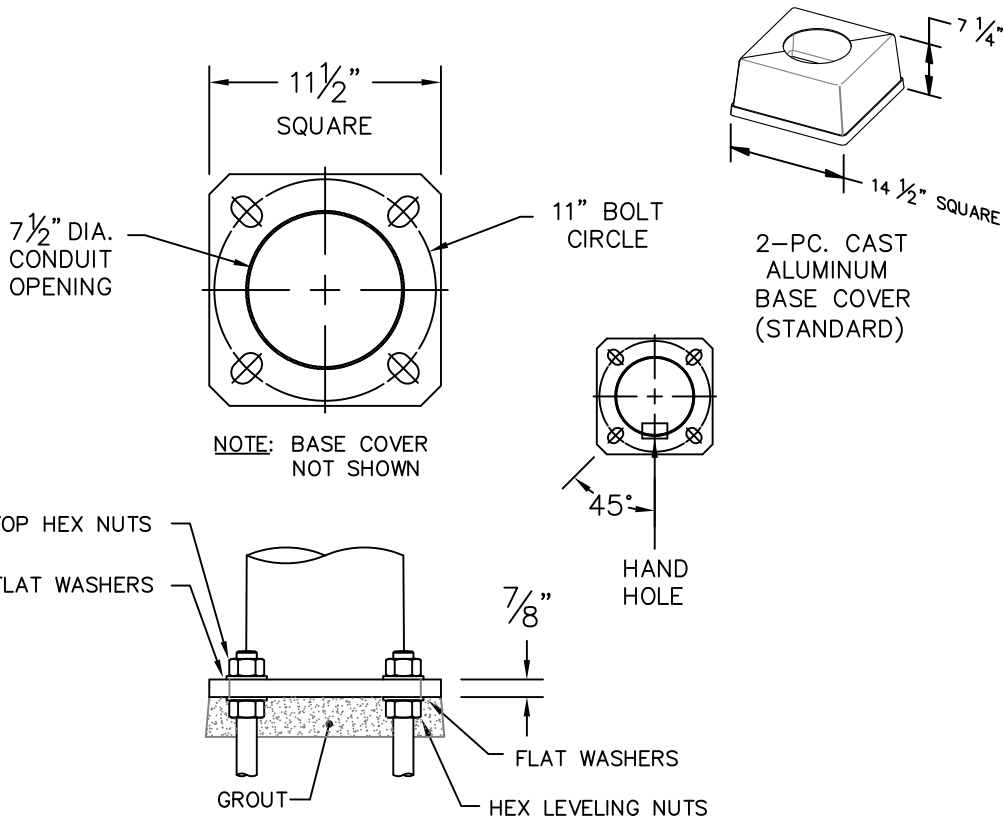
NOTE:

• FESTOON PROVIDED FOR THE PROVISION TO MOUNT ELECTRICAL COMPONENT. ELECTRICAL COMPONENT AND/OR APPROPRIATE COVER IS NOT INCLUDED.

• FESTOONS MUST BE SPACED 18" MINIMUM VERTICALLY ON POLE FROM HAND HOLE OR APART. CONSULT FACTORY FOR ADDITIONAL ACCEPTABLE LOCATIONS



FESTOON OPTION



NOTE: BASE COVER NOT SHOWN

NOTE: ADEQUATE DRAINAGE MUST BE PROVIDED IN CONCRETE FOUNDATION OR GROUT.

BASE DETAIL

(4) 1" X 36" PARTIALLY GALVANIZED ANCHOR BOLTS & MTG. TEMPLATE SUPPLIED WITH POLE OR IN ADVANCE

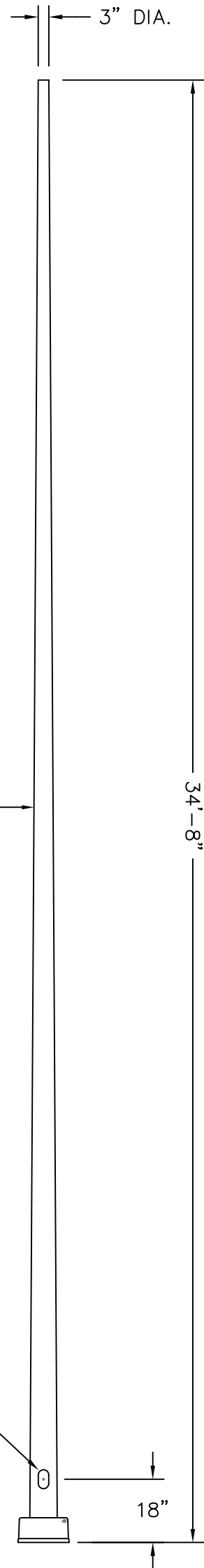
DISCLAIMER

BEGA-US WARRANTS THE SPECIFIC ANCHOR BOLTS & POLE COMBINATION ACCORDING TO THE PRODUCT NUMBER(S) AND DESCRIPTION(S). STRUCTURAL CHANGES TO THE POLE REQUESTED BY THE CUSTOMER INCLUDING CHANGES TO POLE LENGTH, MAY AFFECT THE COMPATIBILITY OF THE ANCHOR BOLTS AND CORRESPONDING POLES. BEGA-US IS NOT RESPONSIBLE FOR THE INCOMPATIBILITY OF THE ANCHOR BOLTS AND POLES RESULTING FROM SUCH STRUCTURAL CHANGES WITHOUT REVIEW BY THE BEGA-US ENGINEERING DEPT. THIS INCLUDES, BUT IS NOT LIMITED TO; ANY LABOR CHARGES, CHARGES FOR REPLACEMENT MATERIALS AND SHIPPING.

SEE LUMINAIRE SPECIFICATION SHEET FOR ADDITIONAL DETAILS

DESIGN INFORMATION				
WIND SPEED MPH:	80 MPH	90 MPH	100 MPH	110 MPH
* MAXIMUM EPA:	14.5	11.5	9.0	7.0

- * MAXIMUM EPA AT VARIOUS MPH, ALLOWS FOR 1.3 GUST FACTOR* PER 1994 AASHTO.
- * DATA ABOVE ASSUMES GRADE LEVEL INSTALLATION
- * MAXIMUM EPA VALUES ARE BASED ON POLE TOP MOUNTED LUMINAIRES,



This print contains confidential information which is the property of BEGA/US. By accepting this information, the borrower agrees that it will not be used for any other purpose other than that which is was loaned.

Catalog No.: 3408SF
 Description: POLE - Steel Tapered Fixed Base & 2-pc. base cover
 Drawn by: Bob Mc Date: 3/25/14 File Name: 3408SF
 SCALE: NONE — DO NOT SCALE DRAWING

BEGA

1000 Bega Way
 Carpinteria, Ca. 93013
 (805) 684-0533