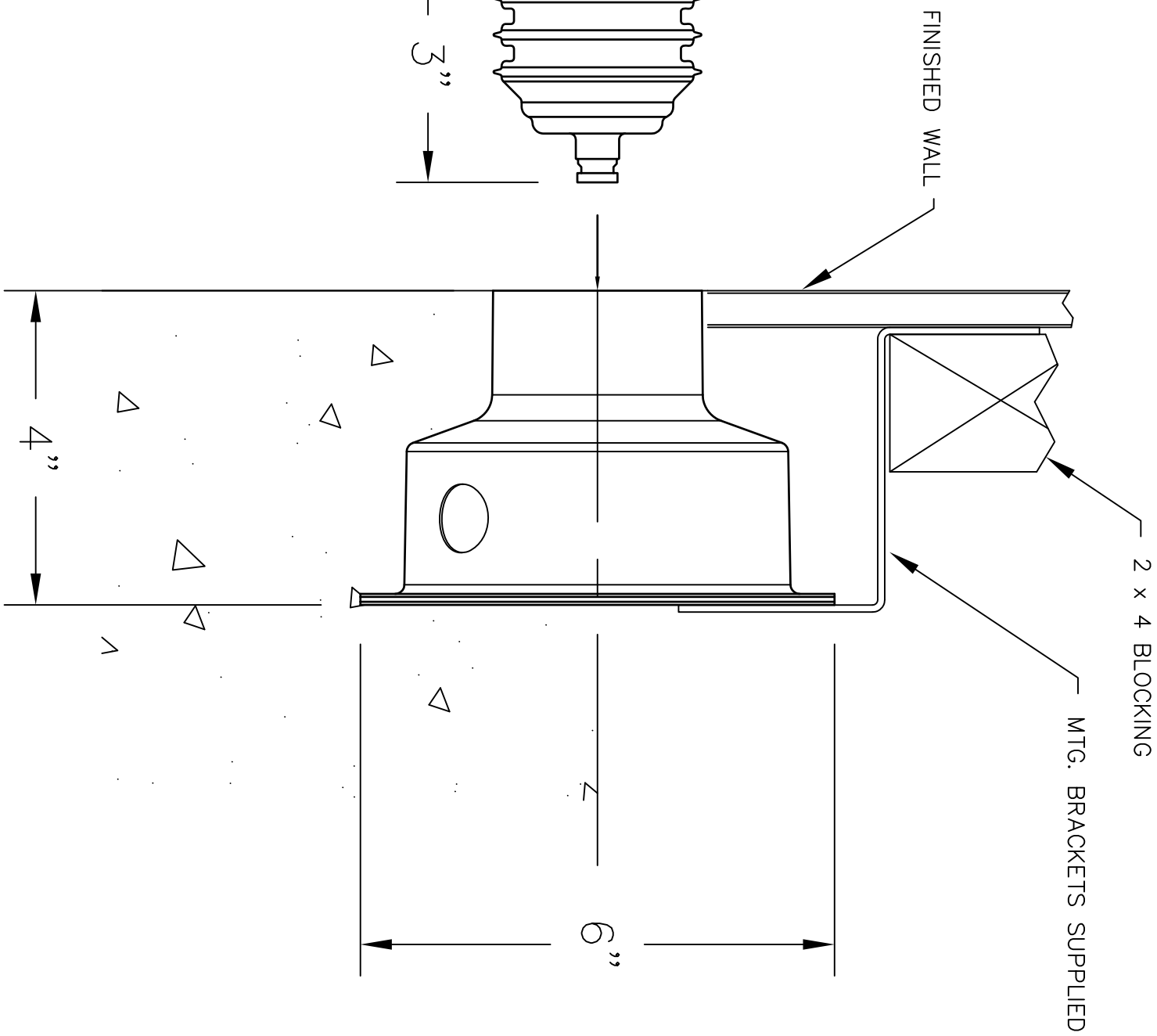
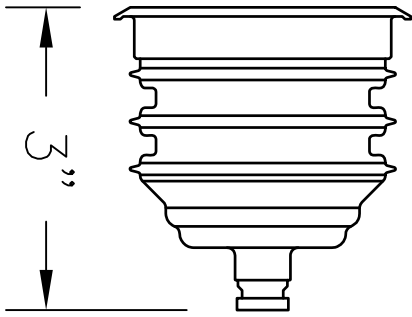
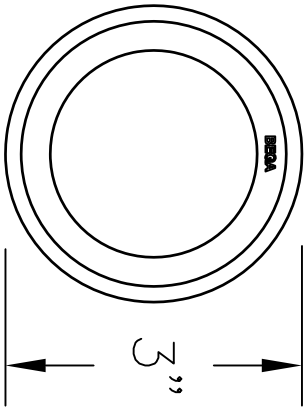


NOTES:

1. LUMINAIRE # 33 882 - SEE SPECIFICATIONS



CONCRETE
CONSTRUCTION

HOLLOW WALL
CONSTRUCTION

TYPE: _____

SUBMITTAL APPROVAL			CAT NO.: 33 882		BEGA
			PROJECT: -		
APPROVED BY: _____	SIGNED: _____		LOCATION: -		
DATE: _____	DATE: _____		DRAWN: RA		1000 Bega Way Carpinteria, Ca. 93013 (805) 684-0533
REV.	DATE	DESCRIPTION	FILE NAME: 33882.dxf		

This print contains confidential information which is the property of BEGA U.S. By acceptance this information, the borrower agrees that it will not be used for any other purpose other than that which is was loaned.