

Tools Required:

Phillips medium screwdriver



Dimensions

A: 12"

B: 2-5/8 "



Protection Class: IP64

Weight: 5.73 lbs.

Notice to Installer for 33 683:

1. See page 2 for specific product safety warnings.
2. Mounts directly to finished surface over a standard recessed 4" octagonal wiring box (by others).
3. In conformance with UL Standard 1598, a silicone based sealant must be used between luminaire and mounting surface.

WARNING: LEDs are high quality electrical components. Please avoid touching them directly during installation.

33 683 - installation:

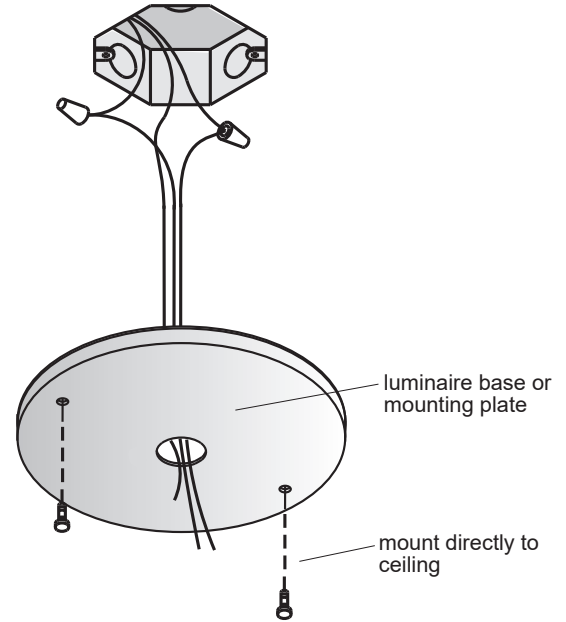
1. Twist glass counter-clockwise to remove from luminaire housing.
2. Feed the luminaire wiring through the luminaire housing.
3. Make supply wiring and luminaire wiring connections inside the wiring box:
 MAIN VOLTAGE SUPPLY WIRE TO BLACK LUMINAIRE WIRE
 NEUTRAL (COMMON) SUPPLY WIRE TO WHITE LUMINAIRE WIRE
 GREEN GROUND WIRE TO GREEN LUMINAIRE WIRE

Dimming (if applicable):

DIMMING CONTROL WIRE (+) TO POSITIVE DRIVER DIM CONTROL WIRE
 DIMMING CONTROL WIRE (-) TO NEGATIVE DRIVER DIM CONTROL WIRE

4. Attach the housing directly to the surface over a 4" standard octagonal wiring box using sufficient hardware (by others).
5. Re-attach glass by rotating clockwise into housing.

Figure 1



Relamping/Maintenance

Twis glass counter-clockwise and remove from housing. Clean glass using only solvent-free cleaners. Replace glass into luminaire housing by rotating clockwise.

Accessories

Please refer to the appropriate accessory installation sheet for further instruction when applicable.

Replacement Parts

Description	Part No
Lens & Gasket	11308347
LED Driver (120-277V)	75999-03
LED Module (3000K)	LED-0832/930
LED Module (4000K)	LED-0832/940

Lamp: 19.6W LED

In the interest of product improvement, BEGA reserves the right to make technical changes without notice.

Product Safety Warnings:

THIS PRODUCT MUST BE INSTALLED IN ACCORDANCE WITH THE APPLICABLE INSTALLATION CODE BY A PERSON FAMILIAR WITH THE CONSTRUCTION AND OPERATION OF THE PRODUCT AND THE HAZARDS INVOLVED. SUITABLE FOR WET LOCATIONS.

MIN 90°C SUPPLY CONDUCTORS.

CE PRODUIT DOIT ÊTRE INSTALLÉ SELON LE CODE D'INSTALLATION PERTINENT, PAR UNE PERSONNE QUI CONNAÎT BIEN LE PRODUIT ET SON FONCTIONNEMENT AINSI QUE LES RISQUES INHÉRENTS. CONVIENT AUX EMPLACEMENTS MOUILLÉS.

LES FILS D'ALIMENTATION 90°C MIN.
