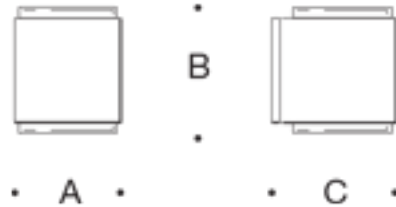


**Tools Required:**

- 2mm hex key
- 3mm hex key
- Flat head screw driver medium
- Phillips head screw driver medium



**Dimensions**

- A:** 4-3/4"
- B:** 6"
- C:** 5-1/2"



**Protection Class:** IP64

**Weight:** 3.1 lbs

**Notice to Installer for 33 549:**

1. For wall applications only.
2. Mounts directly to a standard octagonal 4" wiring box (by others) using mounting kit (supplied).
3. In conformance with UL Standard 1598, a silicone based sealant must be used between luminaire and supporting wall.
4. LEDs are high-quality electronic components! Please avoid touching the light output opening of the LED directly during installation.

**33 549 - installation:**

1. Remove luminaire base by loosening 3mm set screw on rear canopy of fixture.
2. Feed luminaire wires through back of luminaire base and mounting plate (provided).
3. Make supply wiring and luminaire wiring connections in small opening wiring box:  
 MAIN VOLTAGE SUPPLY WIRE TO BLACK LUMINAIRE WIRE  
 NEUTRAL (COMMON) SUPPLY WIRE TO WHITE LUMINAIRE WIRE  
 GREEN GROUND WIRE TO GREEN LUMINAIRE WIRE  
 Dimming (if applicable):  
 DIMMING CONTROL WIRE (+) TO POSITIVE DRIVER DIM CONTROL WIRE  
 DIMMING CONTROL WIRE (-) TO NEGATIVE DRIVER DIM CONTROL WIRE
4. Attach mounting plate to wiring box using (2) 1/2" screws.
5. Attach base to mounting plate and wiring box by using (2) 1 1/2" 8-32 mounting screws.
6. Place a small bead of silicone around the back side of the luminaire base that will come in contact with the finished wall (exterior applications only).
7. Mount luminaire to base, making sure orientation label is aimed correctly. Tighten 3mm set screw to secure.

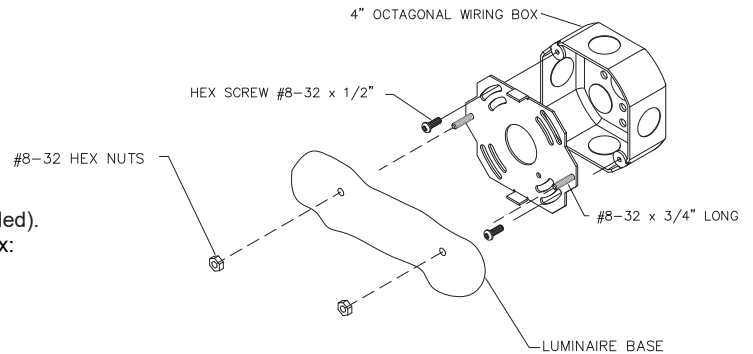


Figure 1: Generic Image

**Relamping/Maintenance**

No relamping required.

**Accessories**

Please refer to the appropriate accessory installation sheet for further instruction when applicable.

**Replacement Parts**

Description	Part No
Diffuser (2x)	11311911
Driver (120-277V)	75593
LED Module (3000K)	LED-0340/830
LED Module (4000K)	LED-0340/840

**Lamp:** 16.4W LED Module

In the interest of product improvement, BEGA reserves the right to make technical changes without notice.