

**Tools Required:**

- 3mm hex key
- Phillips head screw driver medium



**Dimensions**

- A: 9 7/8 "
- B: 6 1/4 "
- C: 7 7/8 "



**Protection Class:** IP65  
**Weight:** 11.0 lbs

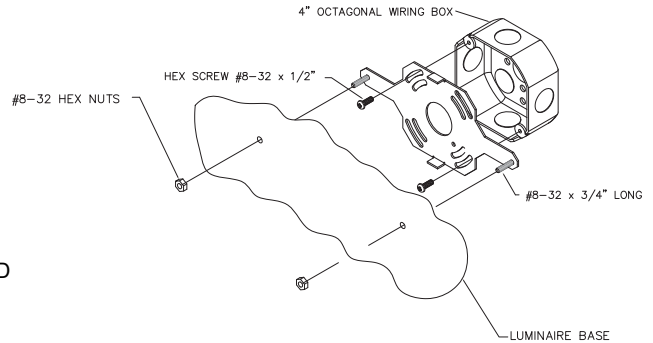
**Notice to Installer for 33 393:**

- See page 2 for specific product safety warnings.
- For wall applications only.
- In conformance with UL Standard 1598, a silicone based sealant must be used between luminaire and supporting wall.
- LEDs are high-quality electronic components! Please avoid touching the light output opening of the LED directly during installation.

**33 393 - installation:**

- Loosen (2) 3mm housing hex screws and remove outer casting with lens attached.
- Feed luminaire wires through luminaire box.
- Connect luminaire wires (provided) to site supply wires:  
 CONNECT NEUTRAL SUPPLY WIRE TO WHITE FIXTURE LEAD  
 CONNECT MAIN VOLTAGE (LINE) SUPPLY WIRE TO BLACK FIXTURE LEAD  
 CONNECT GREEN SUPPLY WIRE TO GREEN FIXTURE LEAD  
 Dimming (if applicable):  
 DIMMING CONTROL WIRE (+) TO POSITIVE DRIVER DIM CONTROL WIRE  
 DIMMING CONTROL WIRE (-) TO NEGATIVE DRIVER DIM CONTROL WIRE
- Attach mounting plate (provided) to wiring box using outlet box screws (by others).
- Place a small bead of silicone around the back side of the mounting plate that will come in contact with the finished surface (exterior applications only).
- Secure base to wall using hardware (minimum thread size 8-32).
- Position outer casting back onto luminaire base and tighten (2) 3mm housing hex screws to secure.

Figure 1 - Generic Image



**Relamping/Maintenance**

No relamping required.

**Accessories**

Please refer to the appropriate accessory installation sheet for further instruction when applicable.

**Replacement Parts**

Description	Part No
Diffuser (bottom)	140931
Diffuser (top)	140979
Driver (120-277V)	75983-02
LED Module (3000K)	(x2) LED-0850/830 (x1) LED-0503/930
LED Module (4000K)	(x2) LED-0850/840 (x1) LED-0503/940

**Lamp:** 33.7W LED Module

In the interest of product improvement, BEGA reserves the right to make technical changes without notice.

**Product Safety Warnings:**

**THIS PRODUCT MUST BE INSTALLED IN ACCORDANCE WITH THE APPLICABLE INSTALLATION CODE BY A PERSON FAMILIAR WITH THE CONSTRUCTION AND OPERATION OF THE PRODUCT AND THE HAZARDS INVOLVED. SUITABLE FOR WET LOCATIONS.**

**MIN 90°C SUPPLY CONDUCTORS.**

**CE PRODUIT DOIT ÊTRE INSTALLÉ SELON LE CODE D'INSTALLATION PERTINENT, PAR UNE PERSONNE QUI CONNAÎT BIEN LE PRODUIT ET SON FONCTIONNEMENT AINSI QUE LES RISQUES INHÉRENTS. CONVIENT AUX EMPLACEMENTS MOUILLÉS.**

**LES FILS D'ALIMENTATION 90°C MIN.**

---