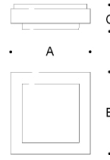


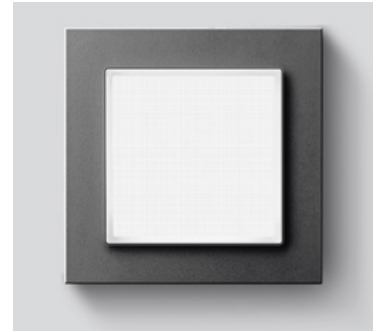
Tools Required:

- 3mm hex key
- Philips medium screwdriver



Dimensions

- A:** 12-1/4 "
- B:** 12-1/4 "
- C:** 3-3/4 "



Weight: 11.68 lbs.

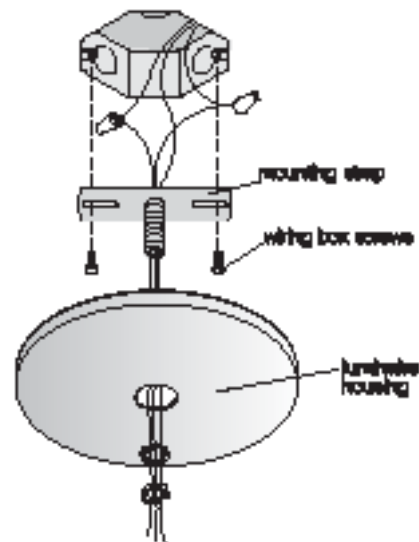
Notice to Installer for 33 234:

1. **BEGA luminaires may be damaged if connected to conduit systems containing water - Article 300-5G of National Electric Code requires that "Conduits or raceways through which moisture may contact energized live parts shall be sealed or plugged at either or both ends".**
2. Mounts directly to standard recessed 4" octagonal wiring box (by others) using BEGA provided mounting kit.
3. In conformance with U.L. Standards 1958, a silicone-based sealant **MUST** be used between the luminaire and mounting surface.
4. **WARNING:** LEDs are high-quality electronic components! Please avoid touching the LED module(s) during installation.

33 234 - installation:

1. Install (2) long 8-32 x 1 1/2" mounting screws (provided) in the back of the adapter plate as shown.
2. Attach adapter plate to wiring box using (2) 8-32 x 1/2" screws provided.
3. Loosen set screw on side of luminaire housing. Open luminaire hinged cover.
4. Route the luminaire wiring through the luminaire base.
5. Make supply wiring and luminaire wiring connections and tuck in to the octagonal wiring box:
 - MAIN VOLTAGE SUPPLY WIRE TO BLACK LUMINAIRE WIRE
 - NEUTRAL (COMMON) SUPPLY WIRE TO WHITE LUMINAIRE WIRE
 - GREEN GROUND WIRE TO GREEN LUMINAIRE WIRE
- Dimming (if applicable):**
 - DIM CONTROL WIRE (+) TO POSITIVE DRIVER DIM CONTROL WIRE
 - DIM CONTROL WIRE (-) TO NEGATIVE DRIVER DIM CONTROL WIRE
6. Attach the luminaire base to the adaptor plate over a 4" standard octagonal wiring box using provided acorn nuts (See figure for mounting hole spacing). NOTE position of orientation arrow on luminaire base and install accordingly.
7. Swivel luminaire cover back on to the luminaire housing. Secure with set screws.

Figure 1



Relamping/Maintenance

Loosen set screw on side of luminaire housing. Remove lens from luminaire base. Clean glass and luminaire using only solvent-free cleansers. Replace lens and tighten set screw.

Lamp: 24.0W LED

Accessories

Please refer to the appropriate accessory installation sheet for further instruction when applicable.

Replacement Parts

| Description | Part No |
|--------------------|-------------------|
| Lens | 11286211 |
| Driver (120V-277V) | 75593 |
| LED module (3000K) | (x4) LED-0408/830 |
| LED module (4000K) | (x4) LED-0408/840 |

Product Safety Warnings:

THIS PRODUCT MUST BE INSTALLED IN ACCORDANCE WITH THE APPLICABLE INSTALLATION CODE BY A PERSON FAMILIAR WITH THE CONSTRUCTION AND OPERATION OF THE PRODUCT AND THE HAZARDS INVOLVED. SUITABLE FOR WET LOCATIONS.

MIN 60°C SUPPLY CONDUCTORS.

CE PRODUIT DOIT ÊTRE INSTALLÉ SELON LE CODE D'INSTALLATION PERTINENT, PAR UNE PERSONNE QUI CONNAÎT BIEN LE PRODUIT ET SON FONCTIONNEMENT AINSI QUE LES RISQUES INHÉRENTS. CONVIENT AUX EMPLACEMENTS MOUILLÉS.

LES FILS D'ALIMENTATION 60°C MIN.
