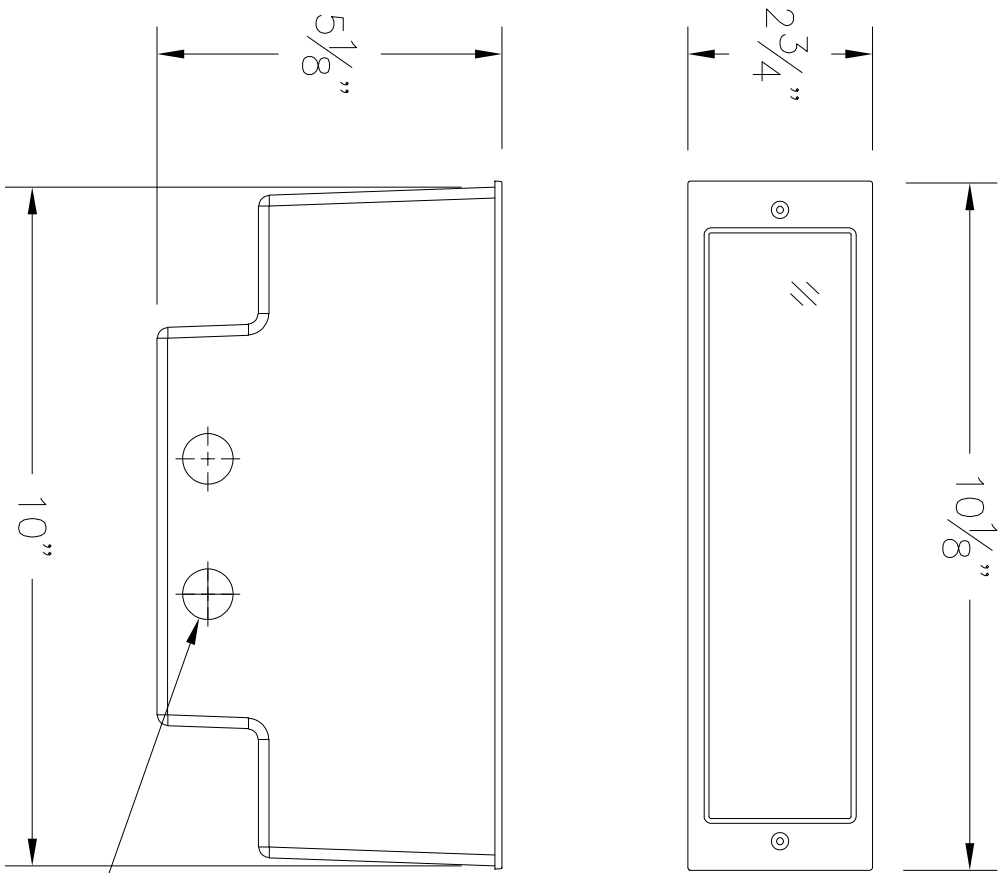
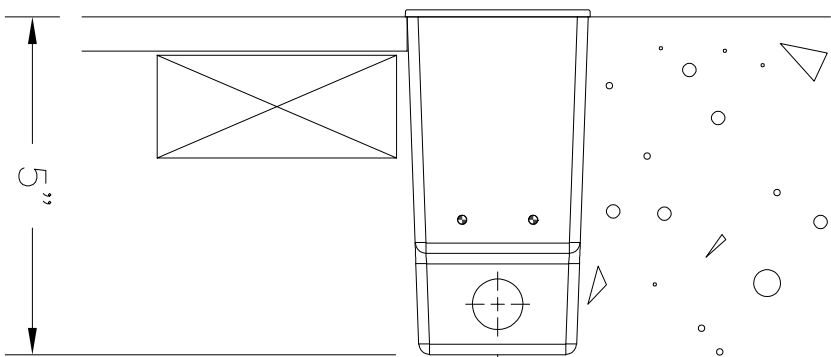


NOTES: LUMINAIRE # 33 163 – SEE SPECIFICATIONS

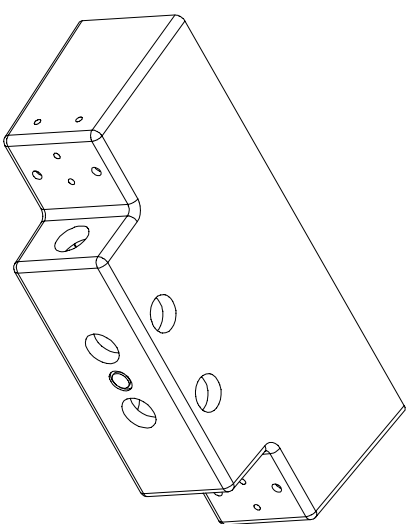


1/2" NPT THREADED
CONDUIT ENTRY (x8)



CONCRETE
CONSTRUCTION
STUD WALL
CONSTRUCTION

ISOMETRIC VIEW
INSTALLATION HOUSING
(NOT TO SCALE)



TYPE: _____

SUBMITTAL APPROVAL

APPROVED BY: _____
SIGNED: _____ DATE: _____

CAT NO.: 33 163
PROJECT: -
LOCATION: -
DRAWN: SB DATE: 8/9/2018 FILE NAME: 33163.DXF

BEGA

1000 Bega Way
Carpinteria, Ca. 93013
(805) 684-0533

| REV. | DATE | DESCRIPTION |
|------|------|-------------|
| | | |

This print contains confidential information which is the property of BEGA U.S. By acceptance this information, the borrower agrees that it will not be used for any other purpose other than that which is was loaned.