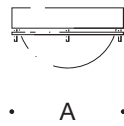


Tools Required:

- 4mm hex key
- Phillips medium screwdriver



Dimensions

- A:** 8-5/8 "
- B:** 4-3/4 "



Protection Class: IP64

Weight: 4.4 lbs.

Notice to Installer for 31 333:

- See page 2 for specific product safety warnings.
- For ceiling and wall applications only.
- Mounts directly to a standard recessed 4" octagonal wiring box (by others) using adaptor plate (provided).
- This product must be installed in accordance with the applicable installation code by a person familiar with the construction and operation of the product and the hazards involved.
- In conformance with UL Standard 1598, a silicone based sealant must be used between luminaire and supporting wall.

NOTE: LEDs are high-quality electronic components! Please avoid touching them directly during installation.

NOTE: To avoid fingerprints on the luminaire use enclosed protective gloves during installation. The luminaire parts made of solid copper are delivered with the metal's natural surface color. Time and weather factors create the natural patina characteristic for copper.

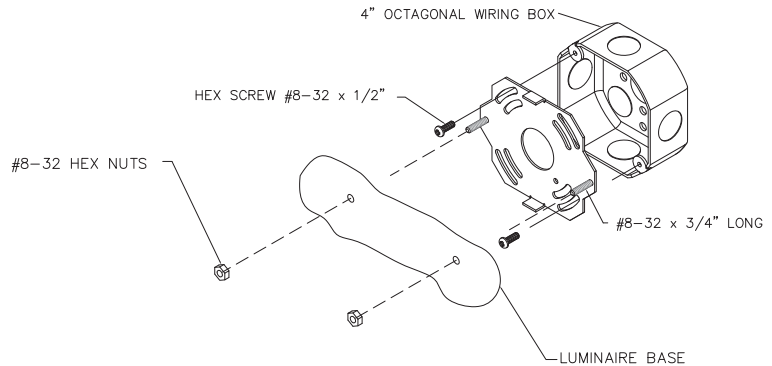
31 333 - Installation:

- Loosen (4) trim nuts and remove trim and glass lens.
- Install (2) long 8-32 x 3/4" mounting screws (provided) in the back of the adaptor plate as shown.
- Attach adaptor plate to wiring box using (2) 8-32 x 1/2" screws provided. Feed luminaire wires through luminaire base and adaptor plate.
- Make supply wiring connections inside the linear wiring box:
 MAIN VOLTAGE SUPPLY WIRE TO BLACK LUMINAIRE WIRE
 NEUTRAL (COMMON) SUPPLY WIRE TO WHITE LUMINAIRE WIRE
 GREEN GROUND WIRE TO GREEN LUMINAIRE WIRE

Dimming (if applicable):

- DIMMING CONTROL WIRE (+) TO POSITIVE DRIVER DIM CONTROL WIRE
- DIMMING CONTROL WIRE (-) TO NEGATIVE DRIVER DIM CONTROL WIRE

- Place a small bead of silicone around the back side of the luminaire base that will come in contact with the finished wall (exterior applications only).
- Attach luminaire to adaptor plate over the mounting screws using the (2) acorn nuts provided in the mounting kit. Tighten the nuts to back the screws into the wiring box and secure the plate to the box.
- Replace trim and glass lens and tighten (4) nuts evenly, making sure the gasket is seated properly.



Relamping/Maintenance

No relamping necessary.

Accessories

Please refer to the appropriate accessory installation sheet for further instruction when applicable.

Replacement Parts

Description	Part No
Glass	11257511
Gasket	820290.1
LED Module (3000K)	LED-0416/830
LED Driver (120-277V)	75929

Lamp: 6.3W LED

In the interest of product improvement, BEGA reserves the right to make technical changes without notice.

Product Safety Warnings:

THIS PRODUCT MUST BE INSTALLED IN ACCORDANCE WITH THE APPLICABLE INSTALLATION CODE BY A PERSON FAMILIAR WITH THE CONSTRUCTION AND OPERATION OF THE PRODUCT AND THE HAZARDS INVOLVED. SUITABLE FOR WET LOCATIONS.

MIN 90°C SUPPLY CONDUCTORS.

CE PRODUIT DOIT ÊTRE INSTALLÉ SELON LE CODE D'INSTALLATION PERTINENT, PAR UNE PERSONNE QUI CONNAÎT BIEN LE PRODUIT ET SON FONCTIONNEMENT AINSI QUE LES RISQUES INHÉRENTS. CONVIENT AUX EMPLACEMENTS MOUILLÉS.

LES FILS D'ALIMENTATION 90°C MIN.
