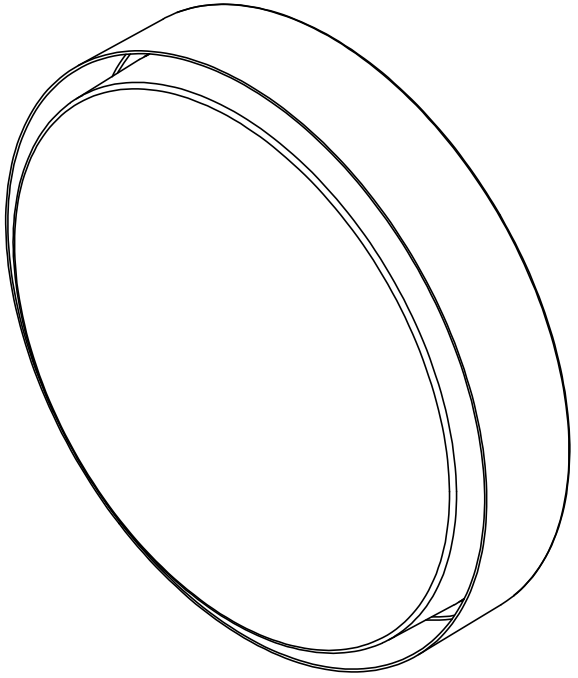
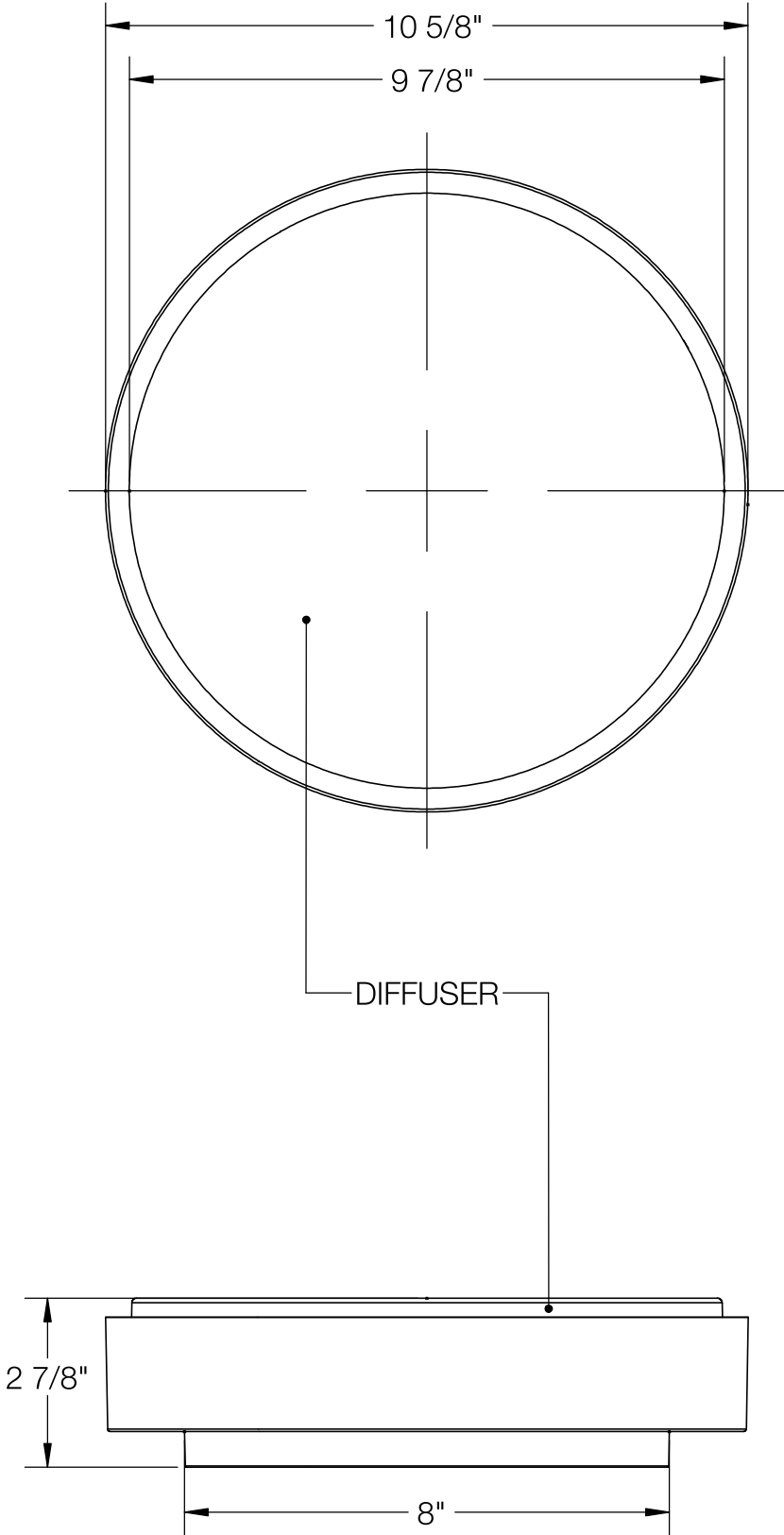


REV	CHANGED BY	DESCRIPTION	DATE



BEGA		1000 BEGA Way, Carpinteria, California 93013		P (805) 684-0533 - www.bega-us.com	
APPROVED: _____ DATE: _____		DESCRIPTION: CEILING AND WALL LUMINAIRE - OPAL GLASS			
TYPE: _____		SIZE: B		PART NO.: B31041	
PROPRIETARY AND CONFIDENTIAL THE INFORMATION CONTAINED IN THIS DRAWING IS THE SOLE PROPERTY OF BEGA NORTH AMERICA, INC. ANY REPRODUCTION IN PART OR AS A WHOLE WITHOUT THE WRITTEN PERMISSION OF BEGA NORTH AMERICA, INC. IS PROHIBITED.		NOT TO SCALE		REV: -	
		08/03/2022		SHEET 1 OF 1	