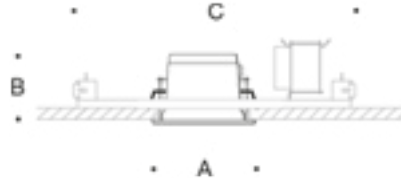


Tools Required:

- Small slotted screwdriver
- Phillips medium screwdriver
- Hammer



Dimensions

- A: 6-7/8 "
- B: 3-3/4 "
- C: 18 "



Protection Class: IP65

Weight: 2.87 lbs.

Notice to Installer for 24 818:

1. BEGA luminaires may be damaged if connected to conduit systems containing water - Article 300-5G of National Electric Code requires that "Conduits or raceways through which moisture may contact energized live parts shall be sealed or plugged at either or both ends".
2. Fixture is non-IC rated, insulation must be at least 3" from luminaire on all sides.
3. Supplied with rough-in kit/ceiling pan CP24818 provided with through-wiring box, with driver mounted on rough-in assembly (housing and faceplate assembly packaged separately).
4. Suitable for through wiring: max. of (4) No. 12 AWG conductors (plus ground) rated for 90°C.
5. Bar hanger brackets (2) are designed to attach directly to ceiling pan tabs. Bar hangers can be adjusted in length and vertical positioning.
6. Luminaire requires a ceiling opening of 6-1/4" O.D. Minimum ceiling thickness 1/4". Maximum ceiling thickness 2"
7. LEDs are high-quality electronic components! Please avoid touching the light output opening of the LED directly during installation.

24 818 - rough-in kit installation (Figure-1):

1. Measure distance between available ceiling studs.
2. Place provided bar hanger brackets (Kit 39) in correct position by aligning vertically and tightening single bar hanger screw.
3. Level the rough-in pan so that the bottom of the pan rests on the back side of the ceiling material.
4. Fit bar hangers to appropriate length (between ceiling structure). Nail both brackets at each end to the available ceiling structure. For attachment to T-Bar type acoustical ceilings, the bar hanger brackets can be attached to Caddy Fasteners (not included).
5. Route power supply leads into j-box:
 - CONNECT WHITE (common) SUPPLY WIRE TO WHITE LUMINAIRE LEAD
 - CONNECT BLACK (hot) SUPPLY WIRE TO BLACK LUMINAIRE LEAD
 - CONNECT GREEN (ground) SUPPLY WIRE TO GREEN LUMINAIRE LEAD
- Dimming (if applicable):
 - DIMMING CONTROL WIRE (+) TO POSITIVE LUMINAIRE DIM CONTROL WIRE
 - DIMMING CONTROL WIRE (-) TO NEGATIVE LUMINAIRE DIM CONTROL WIRE
6. The quick disconnect should hang down through the opening in the rough-in pan.
7. The finished ceiling may now be installed. Cutout in ceiling = 6-1/4" O.D.

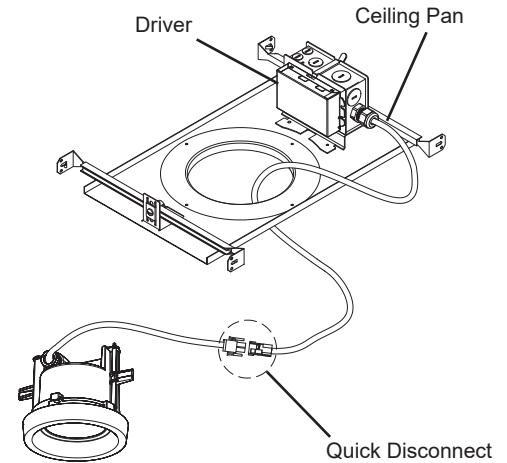


Figure 1: Ceiling pan for LED fixtures. Images are generic.

24 818 - installation:

1. Remove faceplate, glass, gasket, and reflector by turning counterclockwise.
2. Ensure fixture is attached to ceiling pan driver via quick-disconnect.
3. Place luminaire housing up into ceiling and tighten (2) phillips head screws to engage clamping system to attach and secure luminaire housing ceiling panel.
4. Ensure gasket is positioned correctly. Replace reflector, diffuser, and faceplate. Do not over-tighten.

Maintenance

Clean luminaire from dirt and debris regularly with solvent-free cleansers. Do not use high pressure cleaners.

Accessories

Please refer to the appropriate accessory installation sheet for further instruction when applicable.

Rough-in kit/Ceiling Pan CP24818

Replacement Parts

Description	Part No
Faceplate	FP24818
Driver (120-277V)	75995-02
LED Module (3000K)	LED-0800/930
LED Module (4000K)	LED-0800/940

Lamp: 11.7W LED

In the interest of product improvement, BEGA reserves the right to make technical changes without notice.

Product Safety Warnings:

THIS PRODUCT MUST BE INSTALLED IN ACCORDANCE WITH THE APPLICABLE INSTALLATION CODE BY A PERSON FAMILIAR WITH THE CONSTRUCTION AND OPERATION OF THE PRODUCT AND THE HAZARDS INVOLVED. SUITABLE FOR WET LOCATIONS.

MIN 90°C SUPPLY CONDUCTORS.

CE PRODUIT DOIT ÊTRE INSTALLÉ SELON LE CODE D'INSTALLATION PERTINENT, PAR UNE PERSONNE QUI CONNAÎT BIEN LE PRODUIT ET SON FONCTIONNEMENT AINSI QUE LES RISQUES INHÉRENTS. CONVIENT AUX EMPLACEMENTS MOUILLÉS.

LES FILS D'ALIMENTATION 90°C MIN.
