

Tools Required:

- 5mm hex key
- Phillips medium screwdriver

Protection Class: IP 65

Weight: 6.17 lbs.



Dimensions

- A:** 3-1/8 "
- B:** 23-5/8 "
- C:** 4-1/2 "

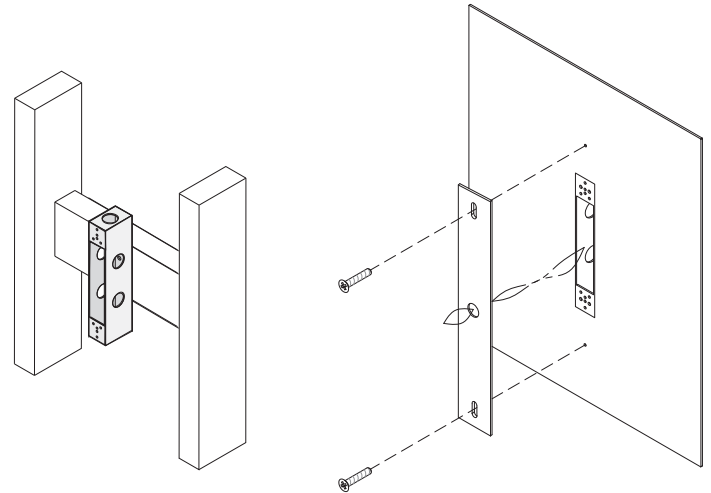


Notice to Installer for 24 591:

1. For attachment to wall over separate small opening linear wiring box (19 537, provided by BEGA).
2. Wiring box needs to be recessed into wall and must be flush with the finished surface.
3. In conformance with UL Standard 1598, a silicone based sealant **MUST** be used between luminaire and supporting wall.
4. For wall applications only - can be installed horizontally or vertically

19 537 - wiring box installation:

1. In hollow (stud) wall construction - Secure wiring box to wood or metal horizontal blocking as shown in the upper figure on the right. Connect conduit to wiring box and pull wires for electrical connections to be made later.
2. In poured concrete construction - Attach wiring box to the concrete form. Connect conduit to wiring box and pull wires for electrical connections to be made later. Pour concrete and remove form.



24 591 - Installation:

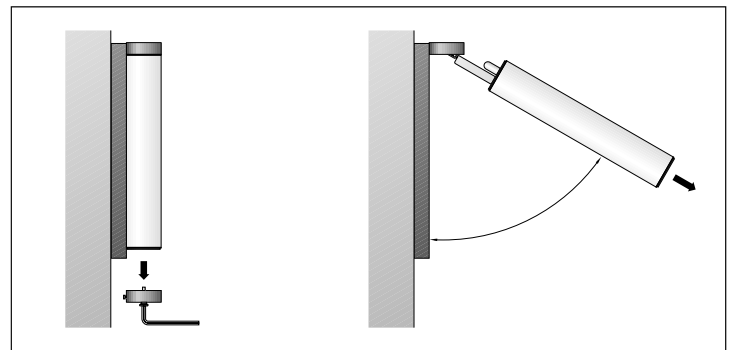
1. Unscrew the 5mm hex screw and remove the locking cap at the bottom of the luminaire.
2. Swing the glass lens outwards using the upper hinge in order to remove the lens. See figure at bottom right.
3. Remove glass lens.
4. Route luminaire wires through back of luminaire and into linear wiring box.
5. Make supply wiring and luminaire wiring connections inside the small opening linear wiring box:

MAIN VOLTAGE SUPPLY WIRE TO BLACK LUMINAIRE WIRE
 NEUTRAL (COMMON) SUPPLY WIRE TO WHITE LUMINAIRE WIRE
 GREEN GROUND WIRE TO GREEN LUMINAIRE WIRE

Dimming (if applicable):

DIMMING CONTROL WIRE (+) TO POSITIVE DRIVER DIM WIRE
 DIMMING CONTROL WIRE (-) TO NEGATIVE DRIVER DIM WIRE

6. Mount luminaire to wall using hardware by others (minimum screw size 8-32 screws).
7. Place small bead of silicone around the edge of the luminaire back plate, where it meets the finished wall.
8. Replace glass lens by carefully sliding it over the geartray.
9. Return the glass lens to its upright position, making sure the gasket is seated properly.
10. Replace lower locking cap and tighten 5mm hex screw to secure.



Relamping/Maintenance

No relamping required.

Accessories

Please refer to the appropriate accessory installation sheet for further instruction when applicable.

Wiring Box 19 537

Replacement Parts

Description	Part No
Lens	112763.1
Lens gasket	(x2) 830788
LED Driver	76142-01
LED Module (3000K)	(x2) LED-0626/930
	(x2) LED-0627/930
LED Module (4000K)	(x2) LED-0626/940
	(x2) LED-0627/940

Lamp: 19.6W LED

In the interest of product improvement, BEGA reserves the right to make technical changes without notice.

Product Safety Warnings:

**THIS PRODUCT MUST BE INSTALLED IN ACCORDANCE WITH THE APPLICABLE INSTALLATION CODE BY A PERSON FAMILIAR WITH THE CONSTRUCTION AND OPERATION OF THE PRODUCT AND THE HAZARDS INVOLVED. SUITABLE FOR WET LOCATIONS.
MIN 90° SUPPLY CONDUCTORS.**

**CE PRODUIT DOIT ÊTRE INSTALLÉ SELON LE CODE D'INSTALLATION PERTINENT, PAR UNE PERSONNE QUI CONNAÎT BIEN LE PRODUIT ET SON FONCTIONNEMENT AINSI QUE LES RISQUES INHÉRENTS.
CONVIENT AUX EMPLACEMENTS MOUILLÉS.
LES FILS D'ALIMENTATION 90°C MIN.**
