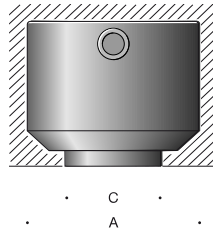


Tools Required:

- 3mm hex head screwdriver



Dimensions

- A:** 10-3/8
- B:** 8-3/4
- C:** 6



Overview:

- LED Watts: 24.1W
- System Watts: 27.0W
- Controllability: 0-10V, TRIAC, and ELV dimmable
- Weight: 7.9 lbs
- Protection Class: IP65

Notice to Installer:

1. See page 3 for specific product safety warnings.
2. BEGA luminaires may be damaged if connected to conduit systems containing water - Article 300-5G of National Electric Code requires that "Conduits or raceways through which moisture may contact energized live parts shall be sealed or plugged at either or both ends"
3. Suitable for installation in poured concrete construction ONLY. Cannot be used in an insulated ceiling.
4. Installation housing is provided with (2) 3/4" conduit holes.
5. Suitable for ceiling applications only.
6. Luminaire provided with installation housing BB24485, designed for fixture installation that is flush with formwork.
7. Installation for optional installation housing BB24497, see page 2.

BB24485 installation housing for poured concrete construction

1. Installation housing is suitable for install in precast or in-situ concrete ceiling construction. Designed for install flush with formwork. See Figure 1.
2. Determine mounting position in the form work and secure center plate to form using hot glue or similar to hold in place.
3. Guide gasket ring over the threaded rod onto the center plate. Ensure edges of gasket are completely clean.
4. Place installation housing over gasket ring, center plate, and threaded rod. Press down evenly and secure into place using provided wing nut.
5. Insert conduits into conduit entries and pull wires for connections to be made later.
6. Installation housing is provided with Kit #102, two gasket plugs. If needed, install into conduit openings.
7. Pour concrete.
8. Once concrete has set, gasket ring, center plate and threaded rod can be removed and luminaire can be installed.

Figure 1:

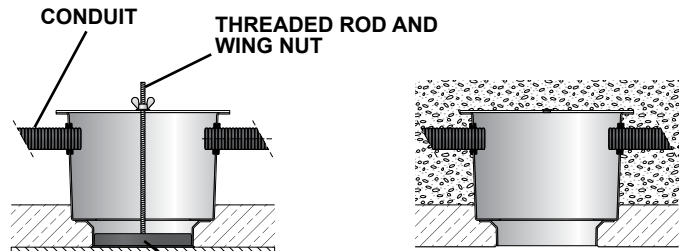
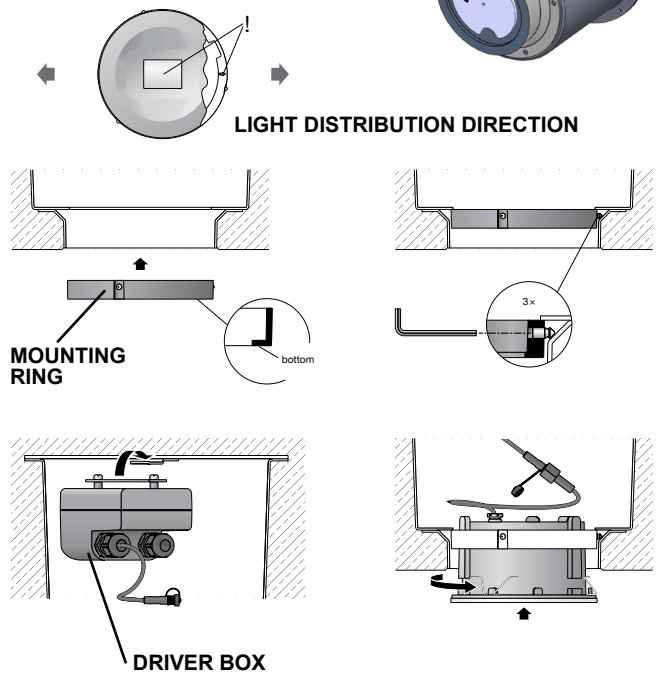


Figure 2:



Luminaire Installation:

1. Luminaire is provided with separate driver box that is required for installation. Make supply wiring connections between driver box and supply wires:
 MAIN VOLTAGE SUPPLY WIRE TO BLACK DRIVER BOX WIRE
 NEUTRAL (COMMON) SUPPLY WIRE TO WHITE DRIVER BOX WIRE
 GROUND SUPPLY WIRE TO GREEN WIRE ON INSTALLATION HOUSING
 0-10V dimming (if applicable):
 DIMMING CONTROL WIRE (+) TO DIM POSITIVE DRIVER BOX WIRE
 DIMMING CONTROL WIRE (-) TO DIM NEGATIVE DRIVER BOX WIRE
2. Once wiring connections are made, driver box can be secured into installation housing using bracket and hook provided, see driver box detail in Figure 2.
3. Remove the mounting ring from the luminaire and install in installation housing by loosening the (3) 3mm hex head screws on the inside of the ring. Ensure the broad edge is facing downwards and push up into installation housing. Note arrow on mounting ring and insert into installation housing so that the arrow lies on the axis that aligns with the desired light distribution direction.
4. Tighten the (3) 3mm hex head screws to secure into place. Tighten the screws evenly so the ring is in the center of the housing.
5. Connect the 2-wire quick connect between luminaire and the driver box.
6. Press the luminaire into the mounting ring, turn it clockwise as far as it will go, and then release. Luminaire will sit firmly within the installation housing with the glass flush with the finished ceiling.
7. To remove luminaire, press the luminaire into the installation housing and turn it counterclockwise as far as it will go. The spring pressure will release the luminaire from the installation housing.

Accessories

Please refer to the appropriate accessory installation sheet for further instruction when applicable.

Maintenance:

Clean regularly with solvent-free cleaner removing dirt and debris. Do not use high pressure cleaners.

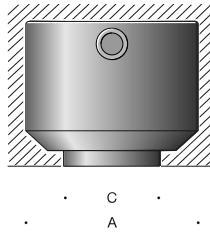
Replacement Parts

See label inside of fixture for LED replacement part number.

Consult factory for all other replacement components.

Tools Required:

- 3mm hex head screwdriver
- Adjustable wrench
- 4mm hex head screwdriver
- T10 torx head screwdriver



Dimensions

- A:** 10-3/8
- B:** 8-3/4
- C:** 6



Overview:

- LED Watts: 24.1W
- System Watts: 27.0W
- Controllability: 0-10V, TRIAC, and ELV dimmable
- Weight: 7.9 lbs
- Protection Class: IP65

Notice to Installer:

1. See page 3 for specific product safety warnings.
2. BEGA luminaires may be damaged if connected to conduit systems containing water - Article 300-5G of National Electric Code requires that "Conduits or raceways through which moisture may contact energized live parts shall be sealed or plugged at either or both ends"
3. Suitable for installation in poured concrete construction ONLY. Cannot be used in an insulated ceiling.
4. Installation housing is provided with (2) 3/4" conduit holes.
5. Suitable for ceiling applications only.
6. Luminaire is optionally provided with installation housing BB24497, designed for fixture installation that is NOT flush with formwork, and additional plaster work will be completed.
7. **WARNING: MAXIMUM PLASTER THICKNESS 3/4"**

BB24497 installation housing for poured concrete construction with plaster ring

1. Installation housing is suitable for install in precast or in-situ concrete ceiling construction. Designed for ceilings that will be plastered. See Figure 1.
2. Determine mounting position in the form work and secure center plate to form.
3. Place installation housing over center plate and secure to form using mounting brackets or threaded rod and wing-nut provided.
4. Insert conduits into conduit entries and pull wires for connections to be made later.
5. Pour concrete.
6. Once concrete is cured, before plastering the ceiling surface, insert the plaster ring into the installation housing.
7. Plaster ring can be secured to installation housing using (2) hex head nuts and washers located at the top of the installation housing, see Figure 2.
8. Plaster ring is adjustable to match depth of finished ceiling surface. To adjust plaster ring, loosen the (2) 4mm hex head screws on either side of the installation housing. See Figure 2. Plaster ring can be adjusted to accommodate for up to 3/4" plaster thickness.
9. Plaster ring provided with (12) holes and (6) T10 Torx head screws for optional attachment of reinforcement fabric.

Figure 1:

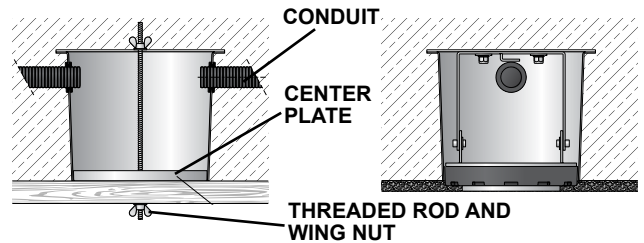


Figure 2:

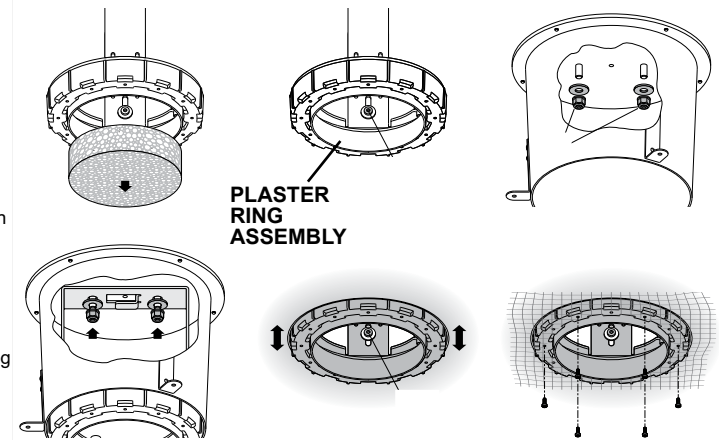
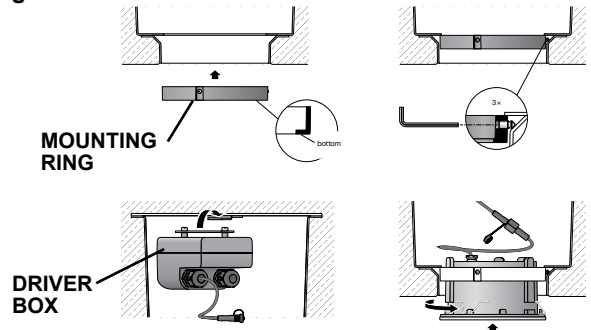


Figure 3:



Luminaire Installation:

1. Luminaire is provided with separate driver box that is required for installation. Make supply wiring connections between driver box and supply wires:
 MAIN VOLTAGE SUPPLY WIRE TO BLACK DRIVER BOX WIRE
 NEUTRAL (COMMON) SUPPLY WIRE TO WHITE DRIVER BOX WIRE
 GROUND SUPPLY WIRE TO GREEN WIRE ON PLASTER RING ASSEMBLY
 0-10V dimming (if applicable):
 DIMMING CONTROL WIRE (+) TO DIM POSITIVE DRIVER BOX WIRE
 DIMMING CONTROL WIRE (-) TO DIM NEGATIVE DRIVER BOX WIRE
2. Once wiring connections are made, driver box can be secured into installation housing using bracket and hook provided, see driver box detail in Figure 3.
3. Remove the mounting ring from the luminaire and install in installation housing by loosening the (3) 3mm hex head screws on the inside of the ring. Ensure the broad edge is facing downwards and push up into installation housing. Note arrow on mounting ring and insert into installation housing so that the arrow lies on the axis that aligns with the desired light distribution direction.
4. Tighten the (3) 3mm hex head screws to secure into place. Tighten the screws evenly so the ring is in the center of the housing.
5. Connect the 2-wire quick connect between luminaire and the driver box.
6. Press the luminaire into the mounting ring, turn it clockwise as far as it will go, and then release. Luminaire will sit firmly within the installation housing with the glass flush with the finished ceiling.
7. To remove luminaire, press the luminaire into the installation housing and turn it counterclockwise as far as it will go. The spring pressure will release the luminaire from the installation housing.

Accessories

Please refer to the appropriate accessory installation sheet for further instruction when applicable.

Maintenance:

Clean regularly with solvent-free cleaner removing dirt and debris. Do not use high pressure cleaners.

Replacement Parts

See label inside of fixture for LED replacement part number.

Consult factory for all other replacement components.

Product Safety Warnings:

THIS PRODUCT MUST BE INSTALLED IN ACCORDANCE WITH THE APPLICABLE INSTALLATION CODE BY A PERSON FAMILIAR WITH THE CONSTRUCTION AND OPERATION OF THE PRODUCT AND THE HAZARDS INVOLVED. FOR USE IN CONCRETE ONLY. SUITABLE FOR WET LOCATIONS COVERED CEILING MOUNT ONLY. MIN 90°C SUPPLY CONDUCTORS.

CE PRODUIT DOIT ÊTRE INSTALLÉ SELON LE CODE D'INSTALLATION PERTINENT, PAR UNE PERSONNE QUI CONNAÎT BIEN LE PRODUIT ET SON FONCTIONNEMENT AINSI QUE LES RISQUES INHÉRENTS. POUR INSTALLATION DANS LE BÉTON SEULEMENT. CONVIENT AUX EMPLACEMENTS MOUILLÉS INSTALLATION SUR PLAFOND COUVERT SEULEMENT. LES FILS D'ALIMENTATION 90°C MIN.