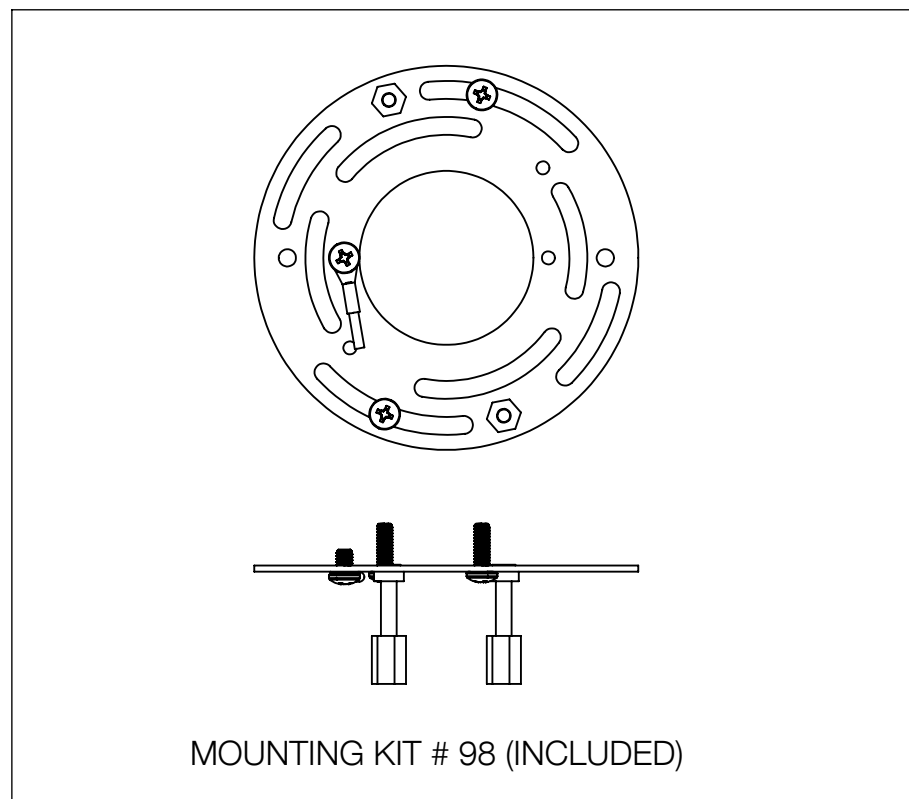
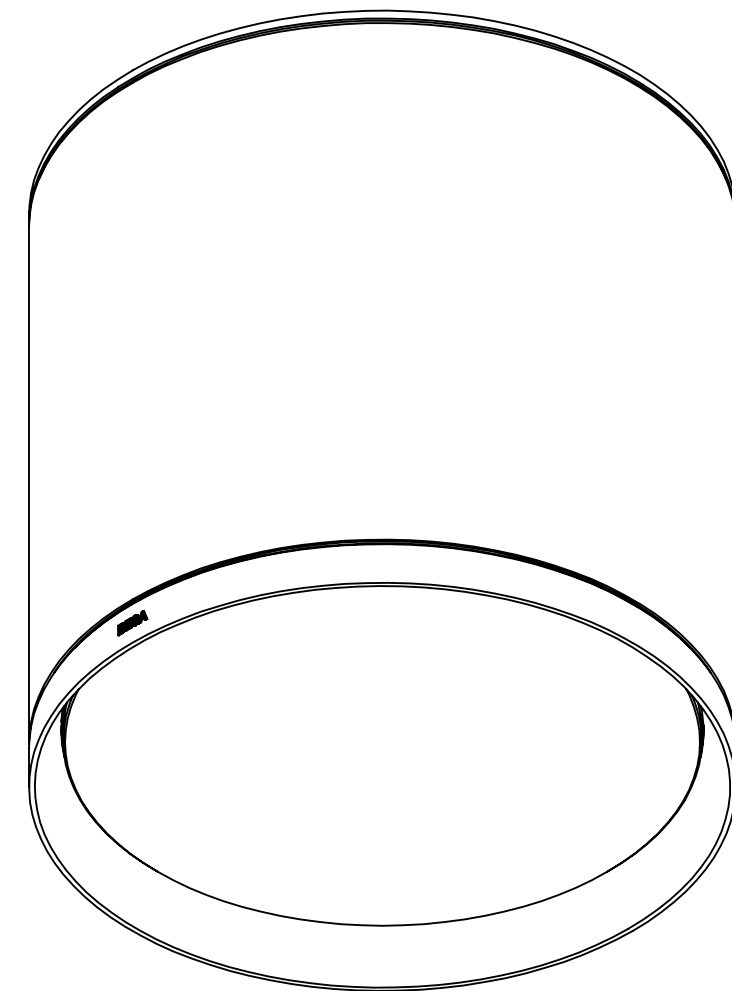
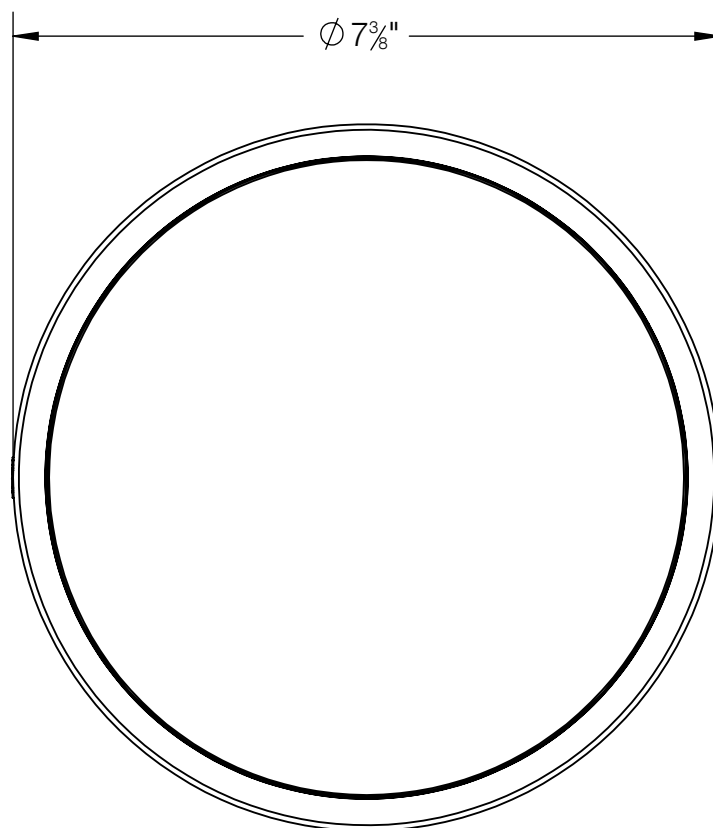
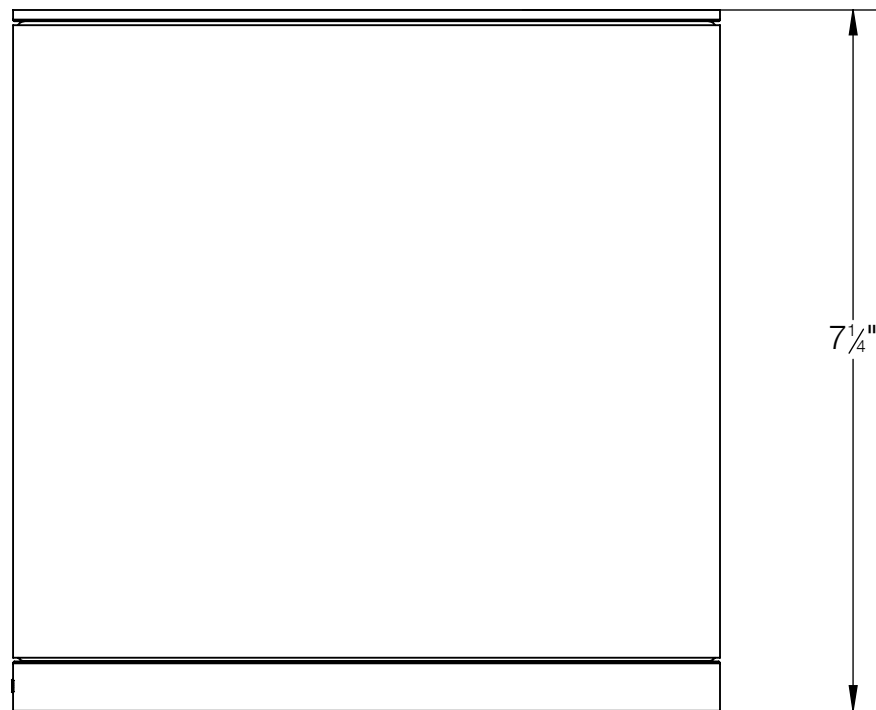
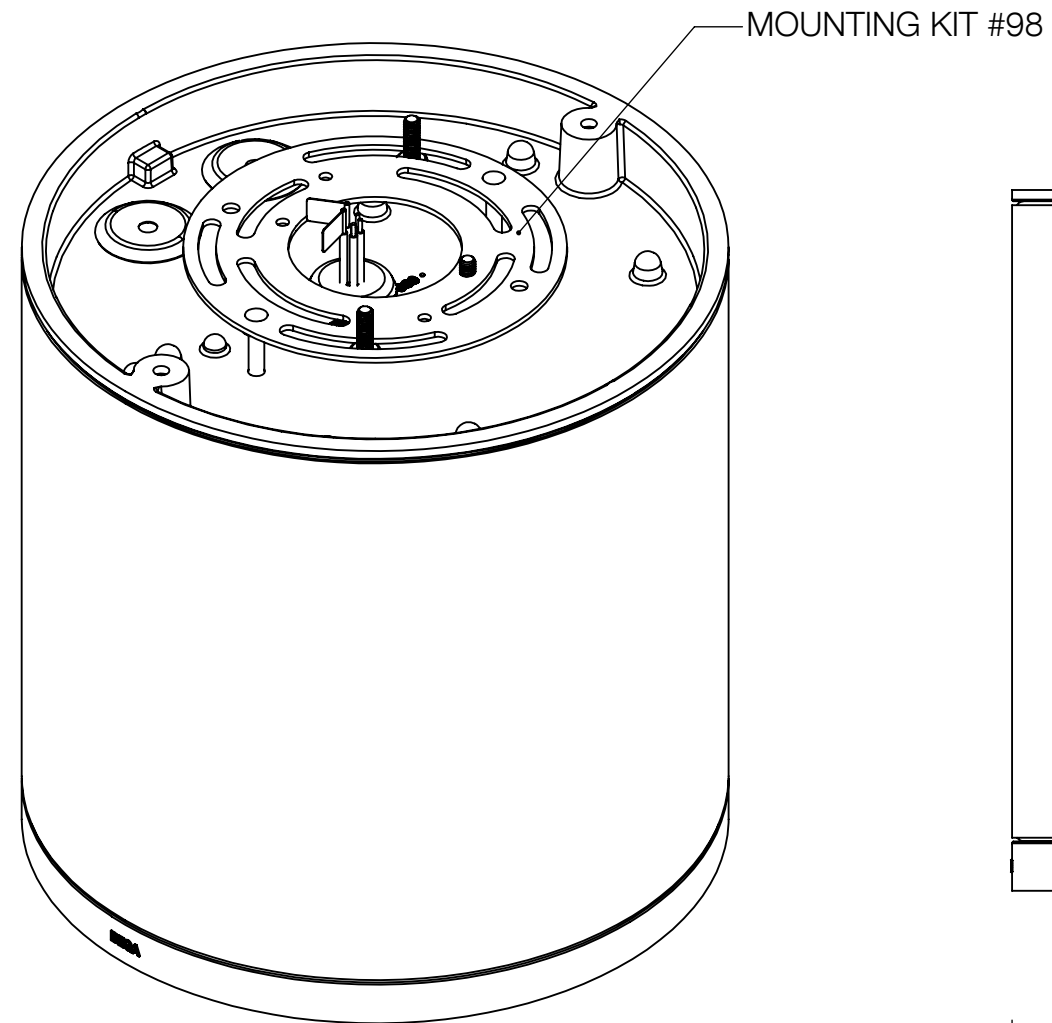


REV	CHANGED BY	DESCRIPTION	DATE



NOTES:
 1. INCLUDES KIT #98 - MOUNTING KIT

BEGA		1000 BEGA Way, Carpinteria, California 93013		P (805) 684-0533 - www.bega-us.com	
APPROVED: _____ DATE: _____		DESCRIPTION: SURFACE MOUNTED DOWNLIGHT - WALL WASHER		TYPE: _____	
PROPRIETARY AND CONFIDENTIAL THE INFORMATION CONTAINED IN THIS DRAWING IS THE SOLE PROPERTY OF BEGA NORTH AMERICA, INC. ANY REPRODUCTION IN PART OR AS A WHOLE WITHOUT THE WRITTEN PERMISSION OF BEGA NORTH AMERICA, INC. IS PROHIBITED.		SIZE B	PART NO. 24428	REV -	NOT TO SCALE 4/25/2022 SHEET 1 OF 1