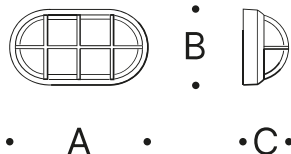


Tools Required:

- Hex Tool (3mm)
- Socket Set (4mm)

Overview:

LED Watts: 11.9W
 System Watts: 14.0W
 Controllability: 0-10V, TRIAC & ELV dimmable
 Weight: 4.0 lbs.
 Protection Class: IP65



Dimensions

A: 11 3/4"
 B: 7 1/8"
 C: 4 1/4"



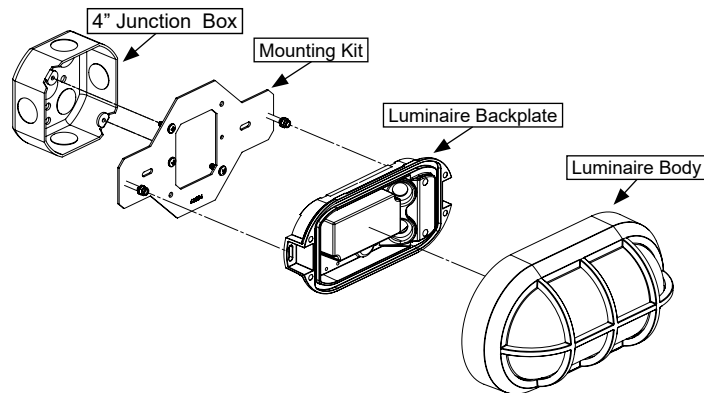
Notice to Installer:

1. See page 2 for specific product safety warnings.
2. 4" octagonal junction box (by others) is required for installation.
3. Silicone based sealant must be used between luminaire and supporting wall [In conformance with UL Standard 1598]
4. Do not remove the pre-installed square gasket applied to the *Luminaire Backplate*, removing the gasket will void the product warranty.
5. For ceiling or wall applications only.

Installation: Luminaire

1. Open (included) *mounting kit* #101 and use included screws and attach mounting kit to 4" octagonal *junction box*, ensure the (2) studded screws are facing away from the wall. [Figure 1]
2. Pull supply wires and ground through the center opening on the *mounting bracket*.
3. On the luminaire, remove the *luminaire backplate* [Figure 1] by loosening the (2) set screws at the base of luminaire body.
4. Make wiring connections inside the *junction box*:
 MAIN VOLTAGE SUPPLY WIRE TO BLACK LUMINAIRE WIRE
 NEUTRAL (COMMON) SUPPLY WIRE TO WHITE LUMINAIRE WIRE
 GREEN GROUND WIRE TO GREEN LUMINAIRE WIRE
 Dimming (if applicable):
 DIMMING WIRE (+) TO POSITIVE LUMINAIRE DIM CONTROL WIRE
 DIMMING WIRE (-) TO NEGATIVE LUMINAIRE DIM CONTROL WIRE
5. Attach the *luminaire backplate* onto the mounting bracket and secure using the (2) included nuts.
6. Reinstall the luminaire body onto the backplate and secure using (2) set screws located at the base of the luminaire body.
7. Do not remove the pre-installed square gasket applied to the *luminaire backplate*.
8. Apply silicone sealant between the mounting surface and the luminaire base.

Figure 1: Mounting Diagram



Accessories

Please refer to the appropriate accessory installation sheet for further instruction when applicable.

Maintenance:

Clean regularly with solvent-free cleaner removing dirt and debris. Do not use high pressure cleaners.

Replacement Parts

See label inside of fixture for LED replacement part number.
 Consult factory for all other replacement components.

Product Safety Warnings:

THIS PRODUCT MUST BE INSTALLED IN ACCORDANCE WITH THE APPLICABLE INSTALLATION CODE BY A PERSON FAMILIAR WITH THE CONSTRUCTION AND OPERATION OF THE PRODUCT AND THE HAZARDS INVOLVED. SUITABLE FOR WET LOCATIONS. MIN 90°C SUPPLY CONDUCTORS.

CE PRODUIT DOIT ÊTRE INSTALLÉ SELON LE CODE D'INSTALLATION PERTINENT, PAR UNE PERSONNE QUI CONNAÎT BIEN LE PRODUIT ET SON FONCTIONNEMENT AINSI QUE LES RISQUES INHÉRENTS. CONVIENT AUX EMPLACEMENTS MOUILLÉS.

LES FILS D'ALIMENTATION 90°C MIN.