

**Tools Required:**

- Hammer
- Phillips medium screwdriver
- T25 torx screwdriver



**Dimensions**

- A: 41"
- B: 3"
- C: 3-1/2"



**Weight:** 10.36 lbs

**Notice to Installer for 24 307:**

1. See page 2 for specific product safety warnings.
2. Luminaire is non-IC rated. Insulation must be at least 3" from luminaire.
3. Supplied with rough-in kit (Figure 1). Includes bar hanger brackets for mounting to the ceiling structure (Kit #39). Plaster ring option available, see note below and Figure 2.
4. Luminaire not suitable for poured concrete construction.
5. Suitable for installation in covered ceilings only.
6. Required recessed opening is 40-3/4" x 2-3/4"
7. Luminaire supplied with 17" whip. Wiring connections must be made in separate wiring box (by others).

**Rough-in kit installation instructions:**

1. Measure distance between available ceiling studs.
2. Place provided conduit brackets (Kit #39) in correct position by aligning vertically and tightening single bar hanger screw.
3. Level the rough-in pan and nail both brackets to available ceiling studs. For attachment to T-Bar type acoustical ceilings, the brackets can be attached to Caddy Fastners (not included)

**24 307 Installation Instructions:**

1. Connect loose end of the flexible conduit whip to junction box (by others) and make supply wiring connections:

MAIN VOLTAGE SUPPLY WIRE TO BLACK DRIVER WIRE(S);  
 NEUTRAL (COMMON SUPPLY WIRE TO WHITE DRIVER WIRE(S);  
 GREEN GROUND WIRE TO GREEN DRIVER WIRE(S).

**Dimming (if applicable):**

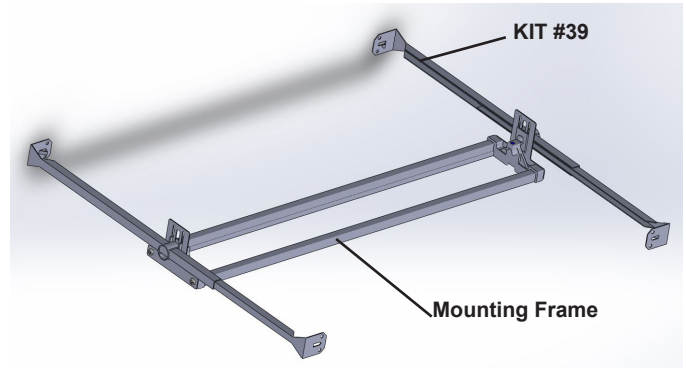
DIMMING CONTROL WIRE (+) TO POSITIVE DRIVER DIM CONTROL WIRE  
 DIMMING CONTROL WIRE (-) TO NEGATIVE DRIVER DIM CONTROL WIRE

2. Push luminaire up into rough-in frame. Secure into place by tightening (x2) T25 torx screws.
3. Finished ceiling may now be installed. Required recessed opening is 40-3/4" x 2-3/4"

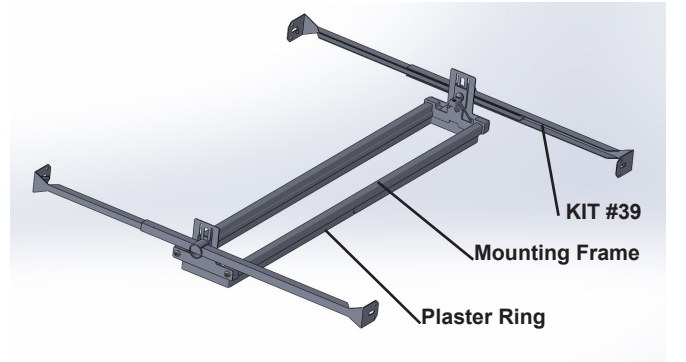
**Plaster Ring (if applicable):**

Plaster ring option available at time of specification. Plaster ring depth is 5/8"

**Figure 1 (Standard Rough-in Kit)**



**Figure 2 (Rough-in Kit with Plaster Ring Option)**



**Relamping/Maintenance**

No relamping required.

**Accessories**

Please refer to the appropriate accessory installation sheet for further instruction when applicable.

**Replacement Parts**

Description	Part No
LED Driver (120-277V)	75969-02
LED Module (3000K)	(x4) LED-0771/830
LED Module (4000K)	(x4) LED-0771/840

**Lamp:** 32W LED

In the interest of product improvement, BEGA reserves the right to make technical changes without notice.

**Product Safety Warnings:**

**THIS PRODUCT MUST BE INSTALLED IN ACCORDANCE WITH THE APPLICABLE INSTALLATION CODE BY A PERSON FAMILIAR WITH THE CONSTRUCTION AND OPERATION OF THE PRODUCT AND THE HAZARDS INVOLVED. SUITABLE FOR WET LOCATIONS.**

**MIN 90°C SUPPLY CONDUCTORS.**

**CE PRODUIT DOIT ÊTRE INSTALLÉ SELON LE CODE D'INSTALLATION PERTINENT, PAR UNE PERSONNE QUI CONNAÎT BIEN LE PRODUIT ET SON FONCTIONNEMENT AINSI QUE LES RISQUES INHÉRENTS. CONVIENT AUX EMPLACEMENTS MOUILLÉS.**

**LES FILS D'ALIMENTATION 90°C MIN.**

---